



Applications

- Coves
- Furniture
- Back-lighting
- Wet Locations
- Hospitality
- Retail
- Office
- Residential

Features

- IP54 - IP67
- 3 step MacAdam
- Small cut increments of 50mm up to 2000mm
- 2200K - 2400K - 2700K - 3000K - 3500K - 4000K - 5000K - 5700K
- 114 > 132 lumens per Watt
- CRI >80 - >90
- Luxeon LEDs
- 120° beam angle as standard, 30° Optic available
- 17W - 11W - 7W (24V)
- Sleek family of Aluminium profiles with Clear and Opal diffusers
- LM80 Lifetime 50,000 hrs
- Dimmable via DALI, 0-10V, DMX
- ECO friendly and Energy Saving

Benefits

- Improved colour consistency across large and small projects
- Greater flexibility to produce a large range of lengths.
- Extensive range of whites to suit all applications
- High lumen output
- Excellent Colour Rendering
- Highest quality Luxeon LEDs
- 3 power options for varying in-direct or direct lighting applications
- Excellent lumen maintenance over lifetime
- ROHS compliant



KL-PRO-F

Rev8 - 04/20

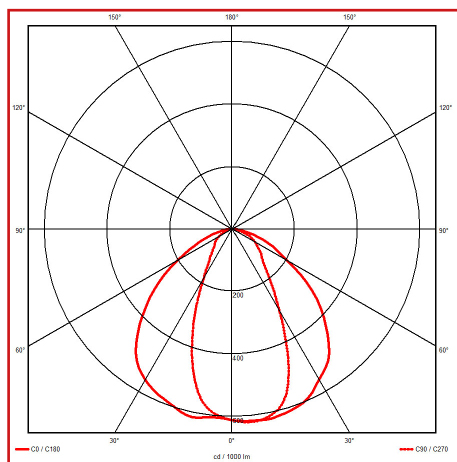


Technical Information

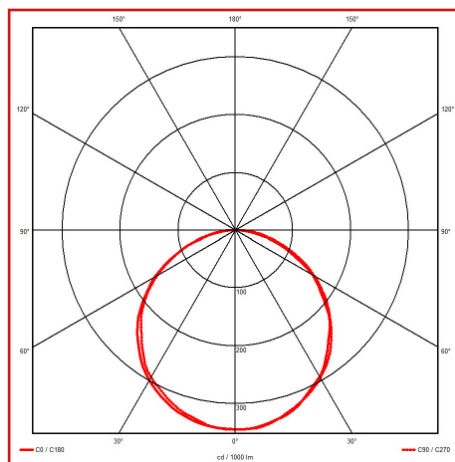
Product Specification	Low Power	Medium Power	High Power
Lumen Output (lm/m) based on 4000K	800	1460	2282
Power (W/m)	7	11	17
Efficacy based on 4000K	114	132	132
Input Voltage	24V		
Colours	2200K - 2400K - 2700K - 3000K - 3500K - 4000K - 5000K - 5700K		
CRI	>80 - >90		
LED Chip	Luxeon		
Binning	3 Step MacAdam		
Control	Switched - 0-10V - DALI - Phase - DMX - Bluetooth		
Beam Angles	30° - 120°		
Lifetime @ LM80	50,000hrs @ 25°C		
Operating Temp	-25°C to 55°C		
IP Rating	IP54 - IP67		
Cover/Lens	Clear - Opal		
Finish	Anodised Aluminium		
Mounting	Recessed		
Lengths	60mm > 2010mm (if no end caps used)		

Photometrics

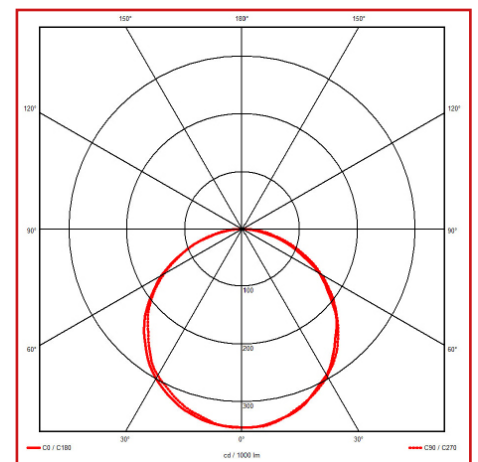
High Power - 4000K - 30° Optic



High Power - 4000K - Clear Diffuser



High Power - 4000K - Opal Diffuser



Product Selector

PRO-F-17-840-O-54-####

Power

17W	17
11W	11
7W	7

Colour

>80 CRI - 2200K	822
>80 CRI - 2400K	824
>80 CRI - 2700K	827
>80 CRI - 3000K	830
>80 CRI - 3500K	835
>80 CRI - 4000K	840
>80 CRI - 5000K	850
>80 CRI - 5700K	857
>90 CRI - 2200K	922
>90 CRI - 2400K	924
>90 CRI - 2700K	927
>90 CRI - 3000K	930
>90 CRI - 3500K	935
>90 CRI - 4000K	940
>90 CRI - 5000K	950
>90 CRI - 5700K	957

Diffuser

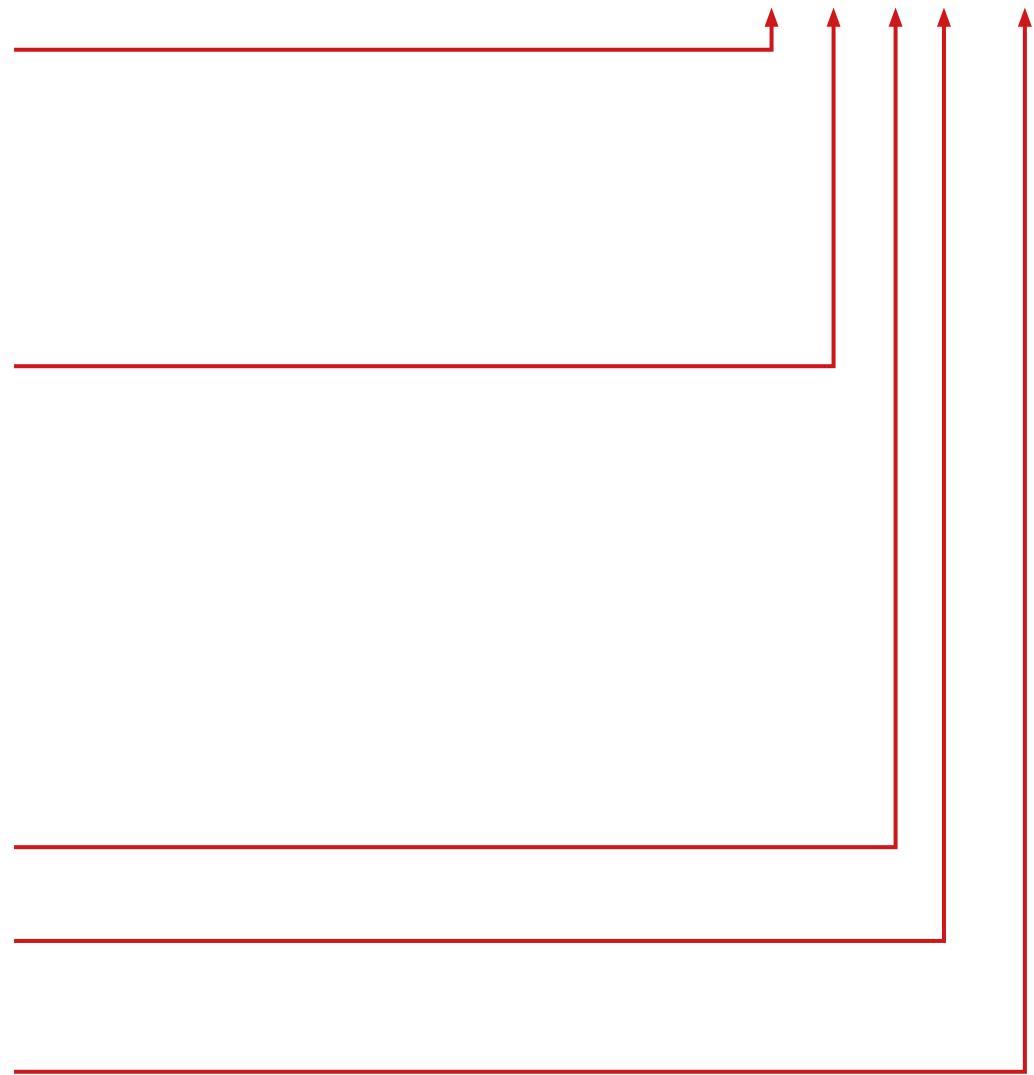
Clear (120°)	C
Clear (30°)	C1
Opal	O

IP Rating

IP54	54
IP67**	67

Length

TBC	####
-----	-------------



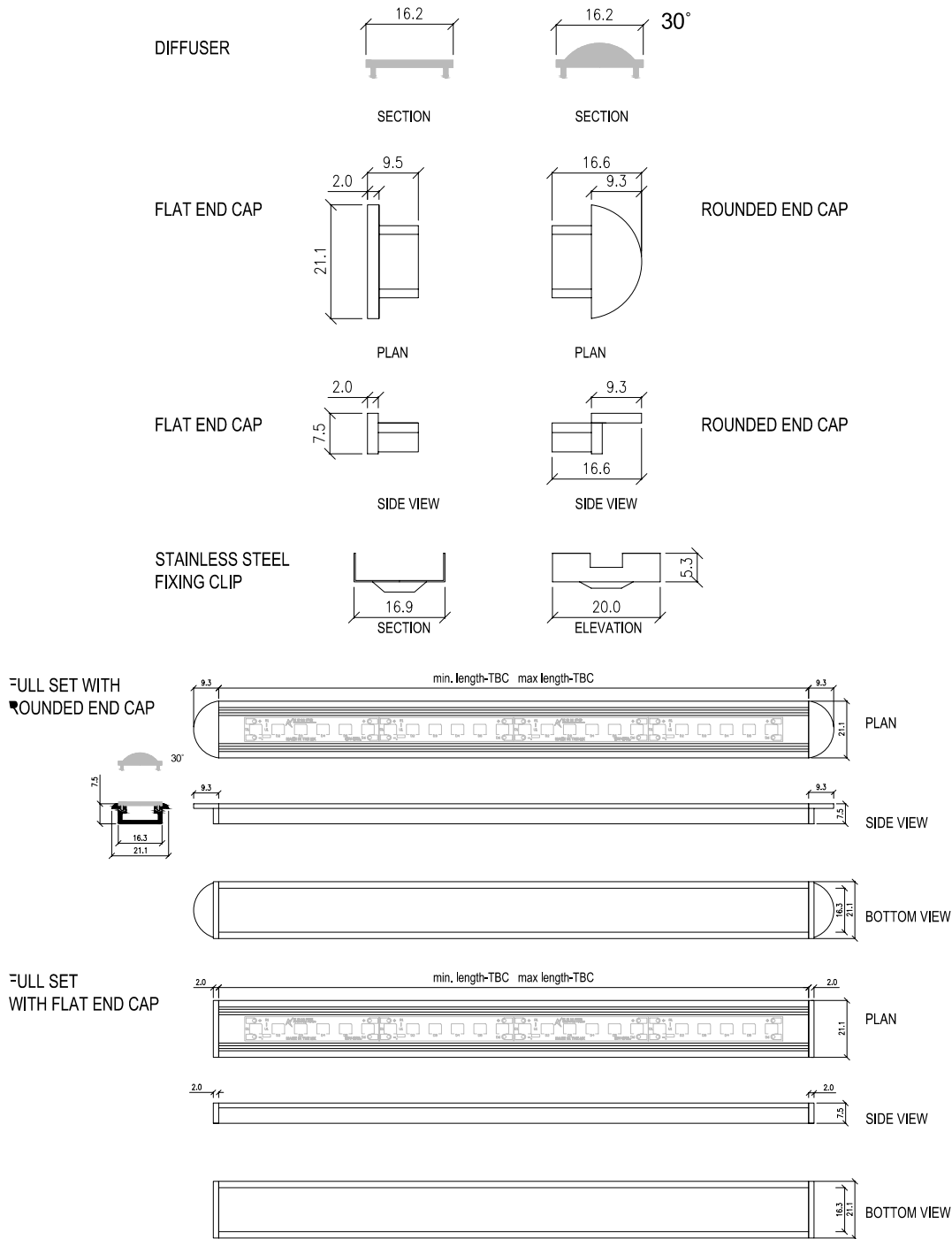
* 2200K and 2400K not available in IP67

** Tolerances in CCT with IP67 products can occur due to manufacturing process

Please contact our sales team to discuss your requirements.



Specification Drawings



Please contact our sales team on **+44(0)113 263 9039** for further assistance

Specifications are subject to change without prior notice. Please refer to our website for most up to date version

KL-PRO-F

Rev8 - 04/20

