



## Applications

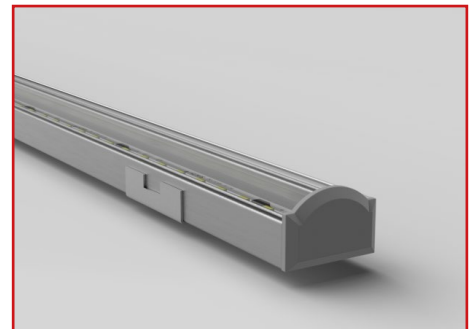
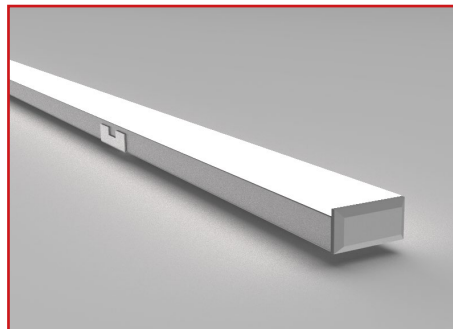
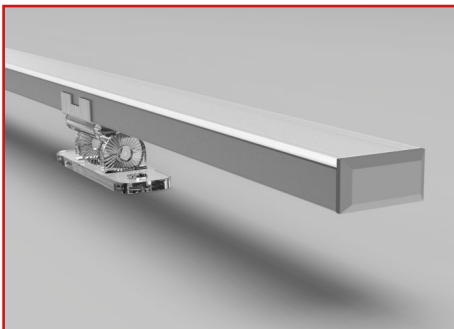
- Coves
- Furniture
- Back-lighting
- Wet Locations
- Hospitality
- Retail
- Office
- Residential

## Features

- IP54 - IP67
- 3 step MacAdam
- Small cut increments of 50mm up to 2000mm
- 2200K - 2500K- 2700K - 3000K - 3500K - 4000K - 5000K - 5700K
- 114 > 132 lumens per Watt
- CRI >80 - >90
- Luxeon LEDs
- 120° beam angle as standard, 30° Optic available
- 17W - 11W - 7W (24V)
- Sleek family of Aluminium profiles with Clear and Opal diffusers
- LM80 Lifetime 50,000 hrs
- Dimmable via DALI, 0-10V, DMX
- ECO friendly and Energy Saving
- Fixed or Adjustable Bracket
- Bluetooth

## Benefits

- Improved colour consistency across large and small projects
- Greater flexibility to produce a large range of lengths.
- Extensive range of whites to suit all applications
- High lumen output
- Excellent Colour Rendering
- Highest quality Luxeon LEDs
- 3 power options for varying in-direct or direct lighting applications
- Excellent lumen maintenance over lifetime
- ROHS compliant



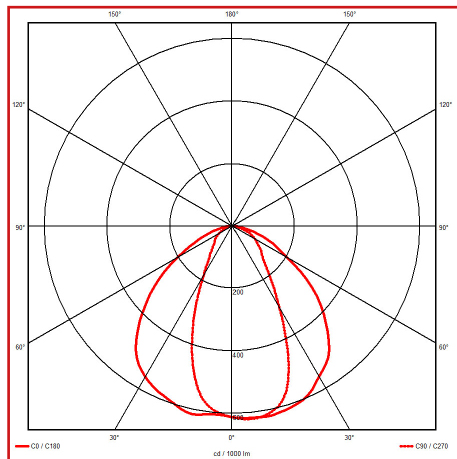
## PRO-M

## Technical Information

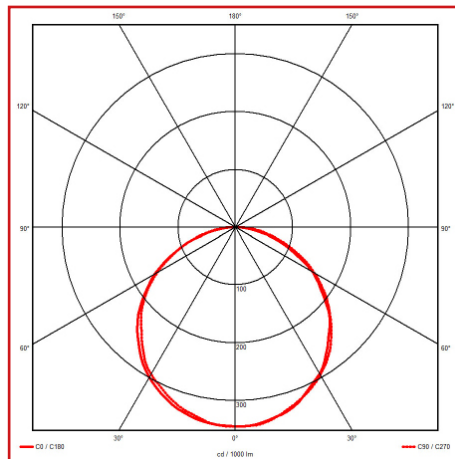
Product Specification	Low Power	Medium Power	High Power
Lumen Output (lm/m) based on 4000K	800	1460	2282
Power (W/m)	7	11	17
Efficacy based on 4000K	114	132	132
Input Voltage	24V		
Colours	2200K - 2400K - 2700K - 3000K - 3500K - 4000K - 5000K - 5700K		
CRI	>80 - >90		
LED Chip	Luxeon		
Binning	3 Step MacAdam		
Control	Switched - 0-10V - DALI - Phase - DMX - Bluetooth		
Beam Angles	Opal Diffused - 30° - 120°		
Lifetime @ LM80	50,000hrs @ 25°C		
Operating Temp	-25°C to 50°C		
IP Rating	IP54 - IP67		
Cover/Lens	Clear - Opal		
Finish	Anodised Aluminium		
Mounting	Fixed or Adjustable Brackets		
Connection	300mm Cable to IP54 or IP67 Connector		
Lengths	75mm > 2025mm (overall length inc end caps)		

## Photometrics

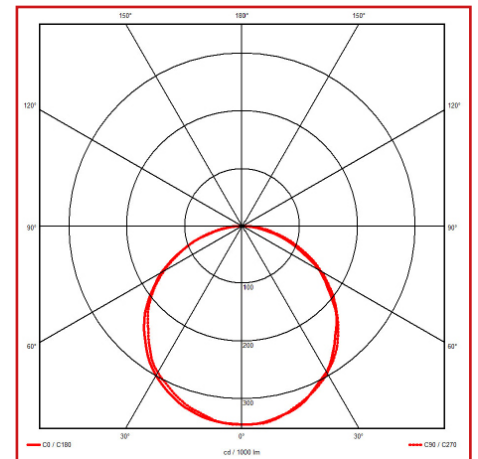
High Power - 4000K - 30° Optic



High Power - 4000K - Clear Diffuser



High Power - 4000K - Opal Diffuser



**PRO-M**



**Product Selector**

**PRO-M-17-840-O-54-A-####**

**Power**

17W	<b>17</b>
11W	<b>11</b>
7W	<b>7</b>

**Colour**

> 80 CRI - 2200K*	<b>822</b>
> 80 CRI - 2400K*	<b>824</b>
> 80 CRI - 2700K	<b>827</b>
> 80 CRI - 3000K	<b>830</b>
> 80 CRI - 3500K	<b>835</b>
> 80 CRI - 4000K	<b>840</b>
> 80 CRI - 5000K	<b>850</b>
> 80 CRI - 5700K	<b>857</b>
> 90 CRI - 2200K*	<b>922</b>
> 90 CRI - 2400K*	<b>924</b>
> 90 CRI - 2700K	<b>927</b>
> 90 CRI - 3000K	<b>930</b>
> 90 CRI - 3500K	<b>935</b>
> 90 CRI - 4000K	<b>940</b>
> 90 CRI - 5000K	<b>950</b>
> 90 CRI - 5700K	<b>957</b>

**Diffuser**

Clear (120°)	<b>C</b>
Clear (30°)	<b>C1</b>
Opal	<b>O</b>

**IP Rating**

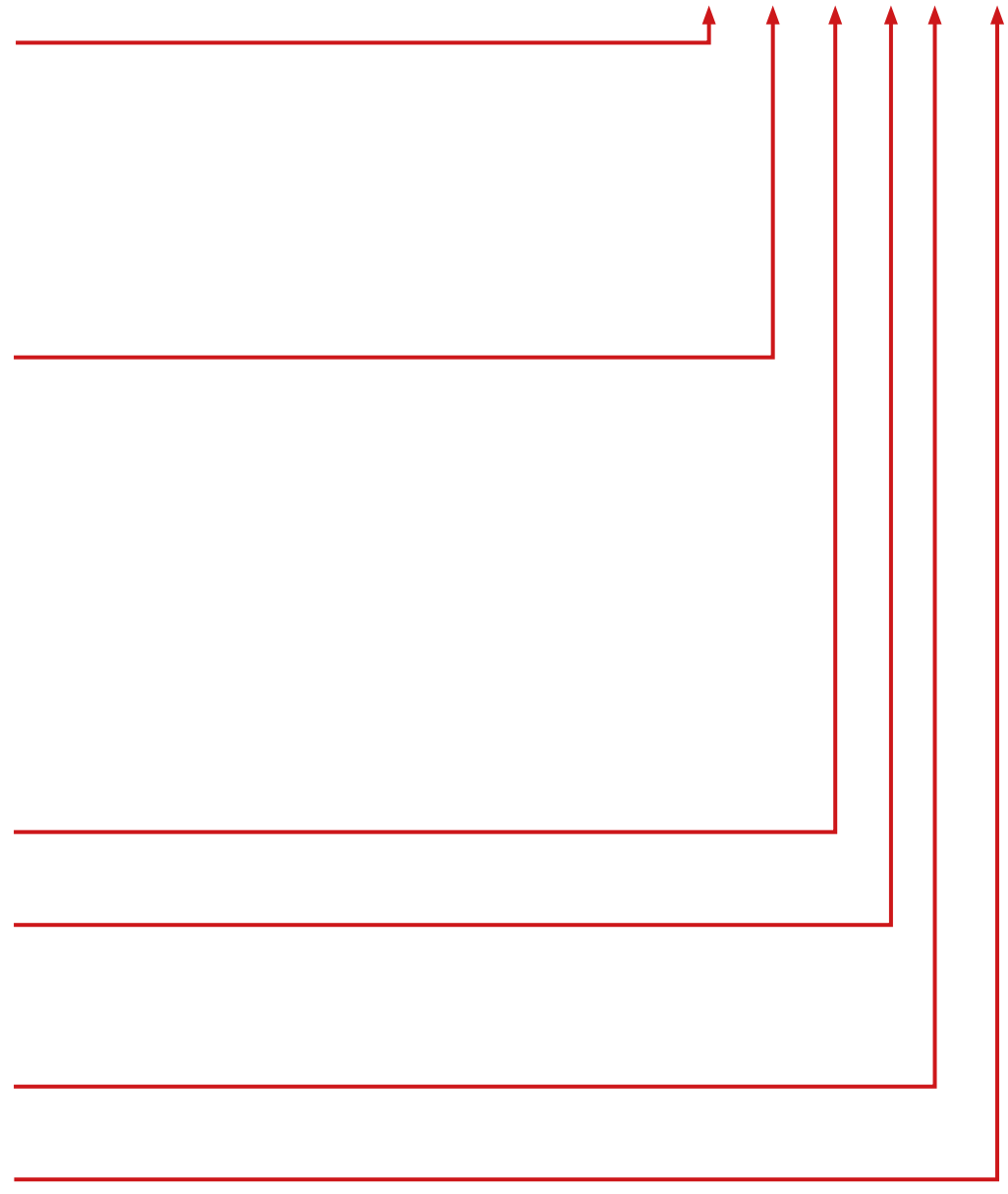
IP54	<b>54</b>
IP67**	<b>67</b>

**Mounting Brackets**

Fixed Bracket	<b>F</b>
Adjustable	<b>A</b>

**Length**

TBC	<b>####</b>
-----	-------------



\* 2200K, 2400K not available in IP67

\*\* Tolerances in CCT with IP67 products can occur due to manufacturing process

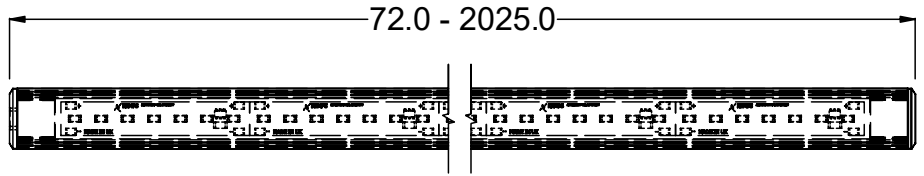
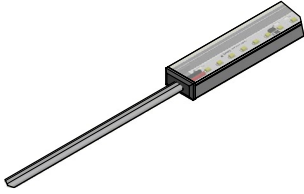
300mm end cable entry as standard. Please contact our sales team to discuss your requirements.

**PRO-M**

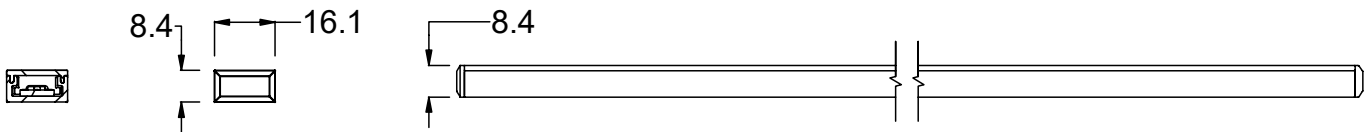


## Specification Drawings

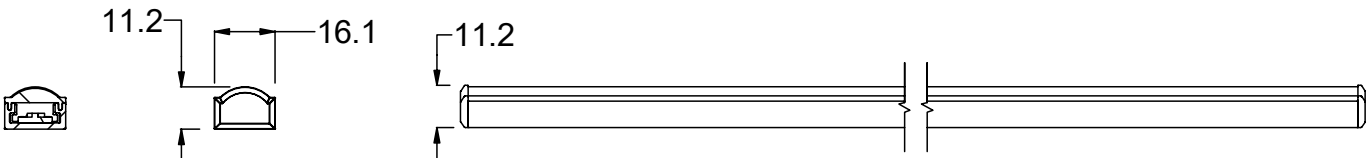
**Standard Cable Entry**  
300mm with plug



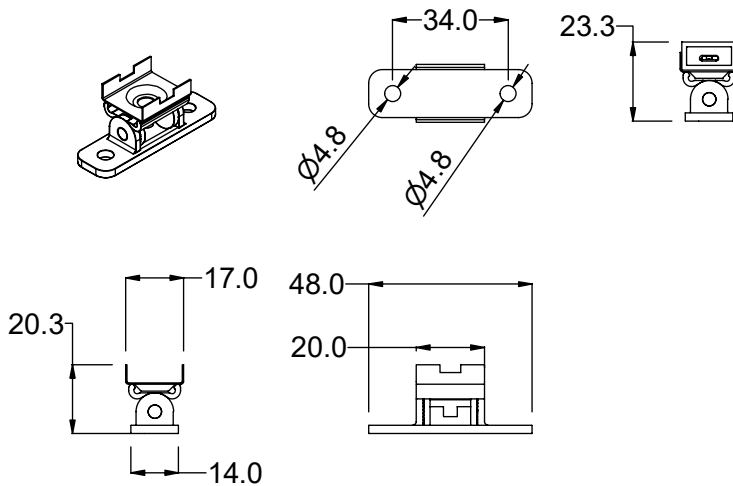
**Flat Diffuser**



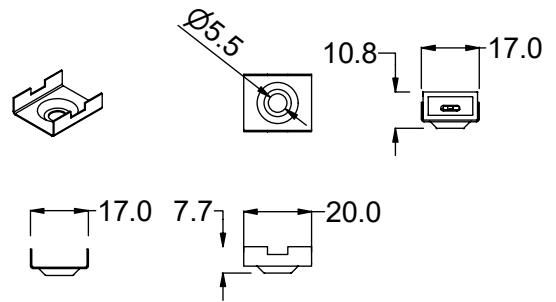
**30° Optic**



**Adjustable Bracket**



**Surface Mount Clip**



Complies with EN60598-1 and pertinent regulations



Please contact our sales team on **+44(0)113 263 9039** for further assistance

*Specifications are subject to change without prior notice. Please refer to our website for most up to date version*

**PRO-M**

Rev 4- 02/20

