



Applications

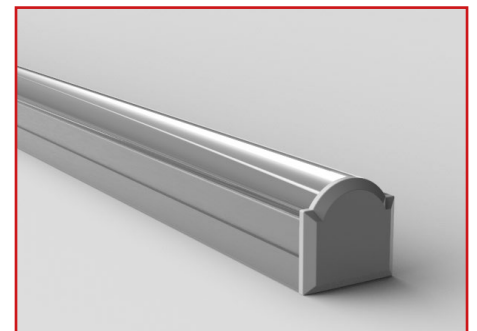
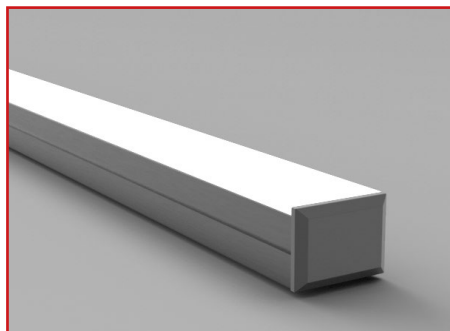
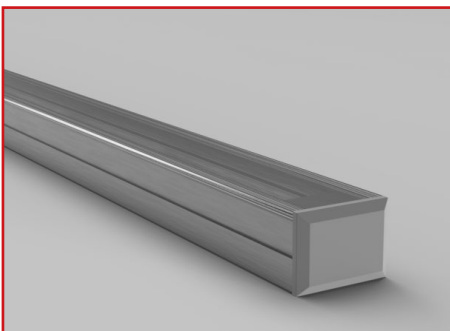
- Coves
- Furniture
- Back-lighting
- Wet Locations
- Hospitality
- Retail
- Office
- Residential

Features

- IP54 - IP67
- 3 step MacAdam
- Small cut increments of 50mm up to 2000mm
- 2200K - 2400K - 2700K - 3000K - 3500K - 4000K - 5000K - 5700K
- 114 > 132 lumens per Watt
- CRI >80 - >90
- 120° beam angle as standard - 12° Optic available
- 17W - 11W - 7W (24V)
- Sleek family of Aluminium profiles with Clear and Opal diffusers
- LM80 Lifetime 50,000 hrs
- Dimmable
- ECO friendly and Energy Saving
- Fixed or Adjustable Bracket

Benefits

- Improved colour consistency across large and small projects
- Greater flexibility to produce a large range of lengths.
- Extensive range of whites to suit all applications
- High lumen output
- Excellent Colour Rendering
- Highest quality or Luxeon LEDs
- 3 power options for varying in-direct or direct lighting applications
- Excellent lumen maintenance over lifetime
- ROHS compliant



PRO-R

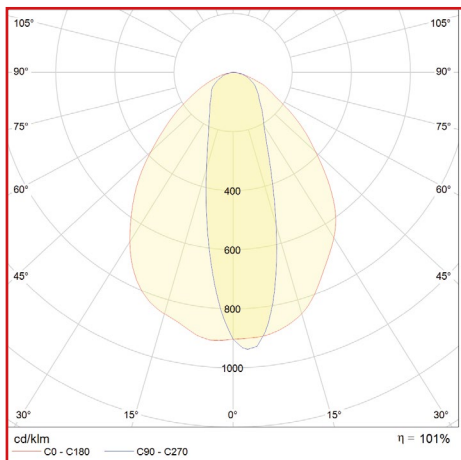


Technical Information

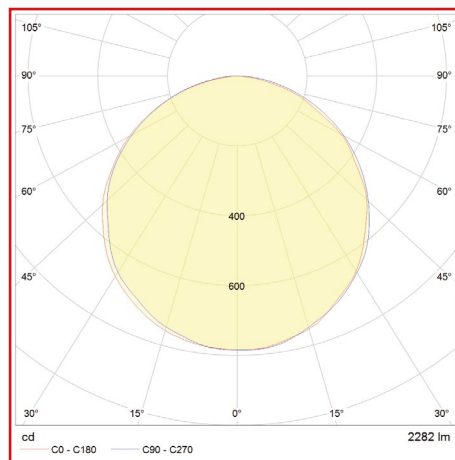
Product Specification	Low Power	Medium Power	High Power
Lumen Output (lm/m) based on 4000K	800	1460	2282
Power (W/m)	7	11	17
Efficacy based on 4000K	114	132	132
Input Voltage	24V		
Colours	2200K - 2400K - 2700K - 3000K - 3500K - 4000K - 5000K - 5700K		
CRI	>80 - >90		
LED Chip	Luxeon		
Binning	3 Step MacAdam		
Control	Switched - 0-10V - DMX - DALI - Bluetooth		
Beam Angles	12° - 120°		
Lifetime @ LM80	50,000hrs @ 25°C		
Operating Temp	-25°C to 50°C		
IP Rating	IP54 - IP67		
Cover/Lens	Clear - Opal		
Finish	Anodised Aluminium		
Mounting	Fixed or Adjustable Brackets		
Lengths	70mm > 2072mm (overall length inc end caps)		

Photometrics

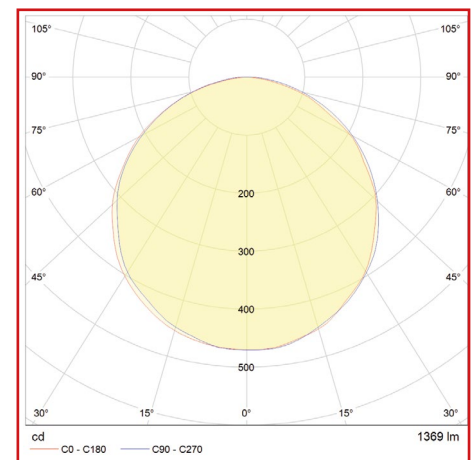
High Power - 4000K - 12° Optic



High Power - 4000K - Clear Diffuser



High Power - 4000K - Opal Diffuser



PRO-R



Product Selector

PRO-R-17-830-O-54-F-####

Power

17W	17
11W	11
7W	7

Colour

>80 CRI - 2200K*	822
>80 CRI - 2400K*	824
>80 CRI - 2700K	827
>80 CRI - 3000K	830
>80 CRI - 3500K	835
>80 CRI - 4000K	840
>80 CRI - 5000K	850
>80 CRI - 5700K	857
>90 CRI - 2200K*	922
>90 CRI - 2400K*	924
>90 CRI - 2700K	927
>90 CRI - 3000K	930
>90 CRI - 3500K	935
>90 CRI - 4000K	940
>90 CRI - 5000K	950
>90 CRI - 5700K	957

Diffuser

Clear (120°)	C
Clear (12°)	C1
Opal	O

IP Rating

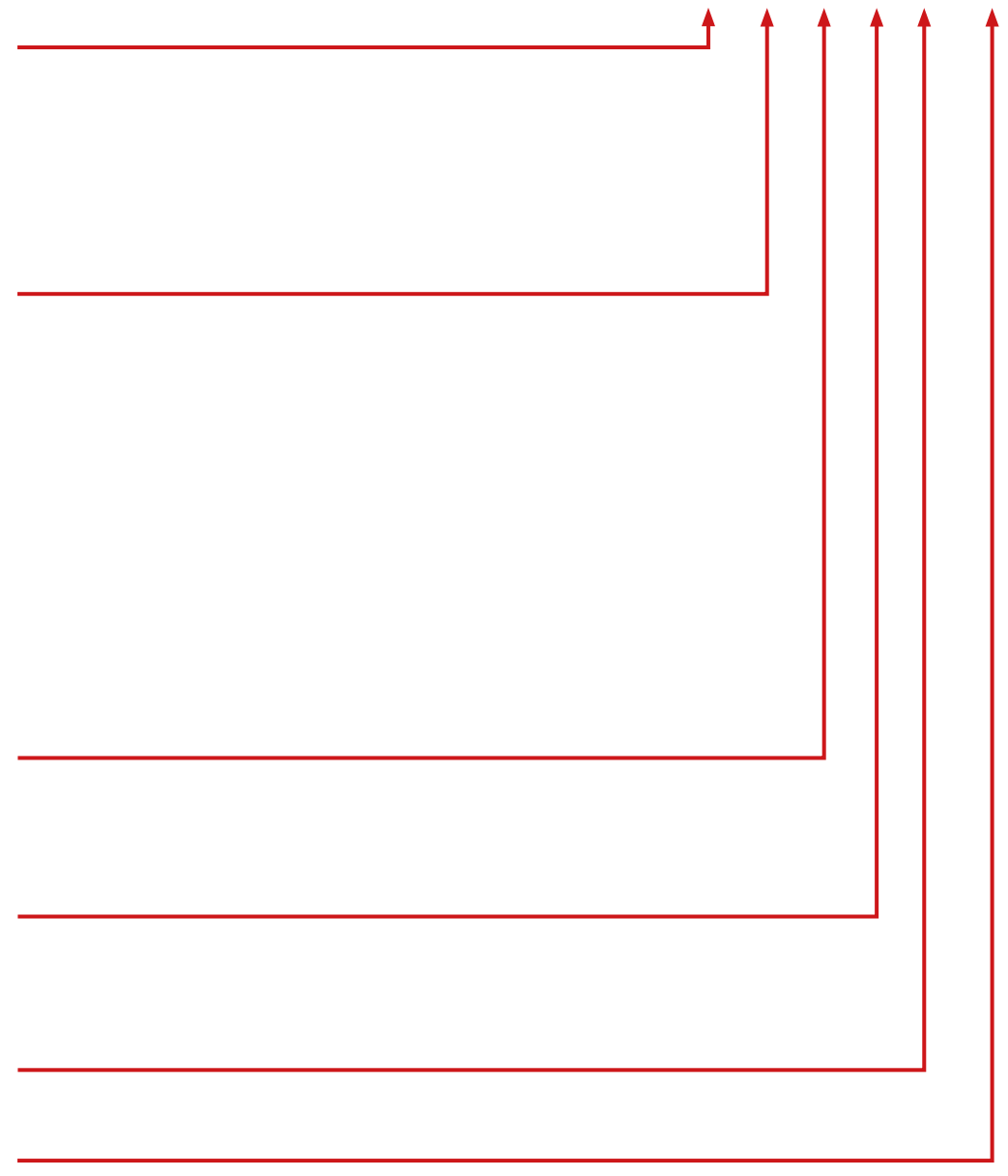
IP54	54
IP67**	67

Mounting Brackets

Fixed	F
Adjustable	A

Length

TBC	####
-----	-------------



*2200K, 2400K Not available in IP67

** Tolerances in CCT with IP67 products can occur due to manufacturing process

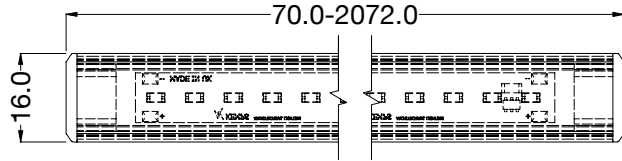
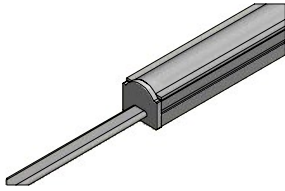
Please contact our sales team to discuss your requirements.

PRO-R

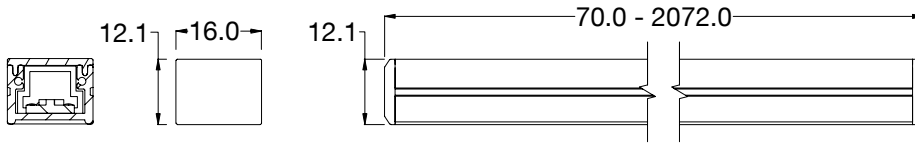


Specification Drawings

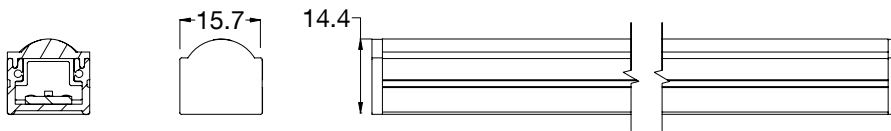
Standard Cable Entry 300mm Tail



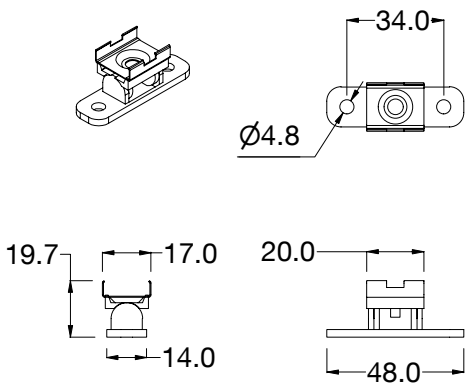
Flat Diffuser



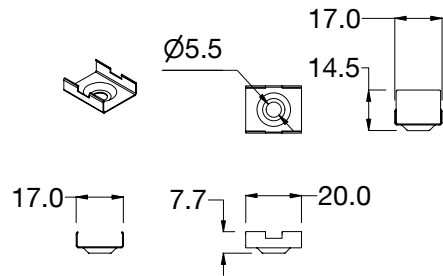
12° Optic



Adjustable Bracket



Surface Mount Clip



Complies with EN60598-1 and pertinent regulations



Please contact our sales team on **+44(0)113 263 9039** for further assistance

Specifications are subject to change without prior notice. Please refer to our website for most up to date version

