

Applications

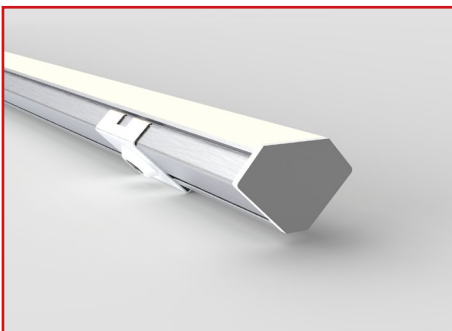
- Corner fixture
- Furniture
- Back-lighting
- Wet Locations

Features

- IP54 - IP67
- 3 step MacAdam
- Small increments of 50mm up to 2000mm
- 2200K - 2400K - 2700K - 3000K - 3500K - 4000K - 5000K - 5700K
- 114 > 132 lumens per Watt
- CRI >80 - >90
- 120° beam angle as standard
- 17W - 11W - 7W (24V)
- Sleek family of Aluminium profiles with Clear and Opal diffusers
- LM80 Lifetime 50,000 hrs
- Dimmable
- ECO friendly and Energy Saving
- Fixed or Adjustable Bracket

Benefits

- Improved colour consistency across large and small projects
- Greater flexibility to produce a large range of lengths.
- Extensive range of whites to suit all applications
- High lumen output
- Excellent Colour Rendering
- Highest quality Luxeon LEDs
- 3 power options for varying in-direct or direct lighting applications
- Excellent lumen maintenance over lifetime
- ROHS compliant



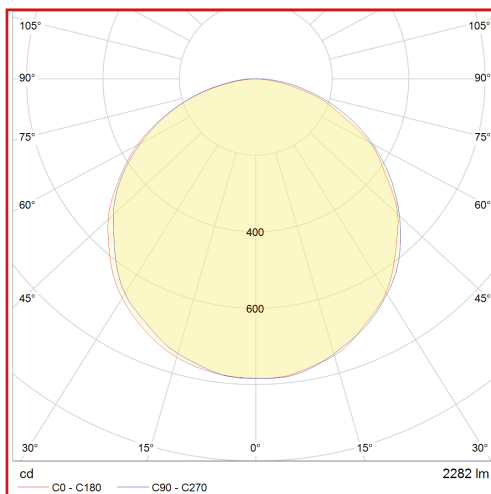
PRO-S

Technical Information

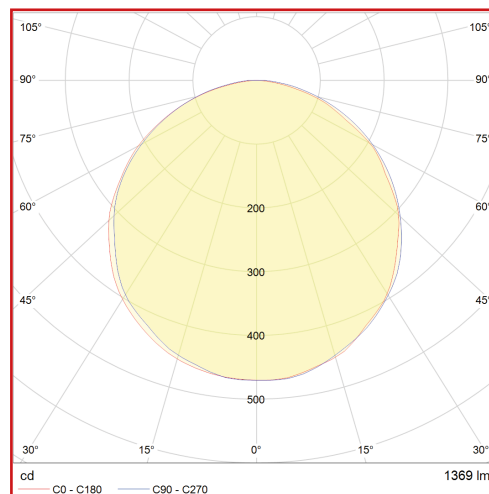
| Product Specification | Low Power | Medium Power | High Power |
|------------------------------------|---|--------------|------------|
| Lumen Output (lm/m) based on 4000K | 800 | 1460 | 2282 |
| Power (W/m) | 7 | 11 | 17 |
| Efficacy based on 4000K (lm/W) | 114 | 132 | 134 |
| Input Voltage | 24V | | |
| Colours | 2200K - 2400K - 2700K - 3000K - 3500K - 4000K - 5000K - 5700K | | |
| CRI | >80 - >90 | | |
| LED Chip | Luxeon | | |
| Binning | 3 Step MacAdam | | |
| Control | Switched - 0-10V - DMX - DALI - Bluetooth | | |
| Beam Angles | 120°, 25° | | |
| Lifetime @ LM80 | 50,000hrs @ 25°C | | |
| Operating Temp | -25°C to 50°C | | |
| IP Rating | IP54 - IP67 | | |
| Cover/Lens | Clear - Opal | | |
| Finish | Anodised Aluminium | | |
| Mounting | Fixed Brackets & Suspended | | |
| Lengths | 70mm - 2022mm (overall length inc end caps) | | |

Technical Information

High Power - 4000K - Clear



High Power - 4000K - Opal



Product Selector

PRO-S-17-827-C-54-1R-F-####

Power

| | |
|-----|-----------|
| 17W | 17 |
| 11W | 11 |
| 7W | 7 |

Colour

| | |
|-------------------|------------|
| > 80 CRI - 2200K* | 822 |
| > 80 CRI - 2400K* | 824 |
| > 80 CRI - 2700K | 827 |
| > 80 CRI - 3000K | 830 |
| > 80 CRI - 3500K | 835 |
| > 80 CRI - 4000K | 840 |
| > 80 CRI - 5000K | 850 |
| > 80 CRI - 5700K | 857 |
| > 90 CRI - 2200K* | 922 |
| > 90 CRI - 2400K* | 924 |
| > 90 CRI - 2700K | 927 |
| > 90 CRI - 3000K | 930 |
| > 90 CRI - 3500K | 935 |
| > 90 CRI - 4000K | 940 |
| > 90 CRI - 5000K | 950 |
| > 90 CRI - 5700K | 957 |

Diffuser

| | |
|--------------|-----------|
| Clear (120°) | C |
| Clear (25°) | C1 |
| Opal (120°) | O |

IP Rating

| | |
|--------|-----------|
| IP54 | 54 |
| IP67** | 67 |

Cable Entry

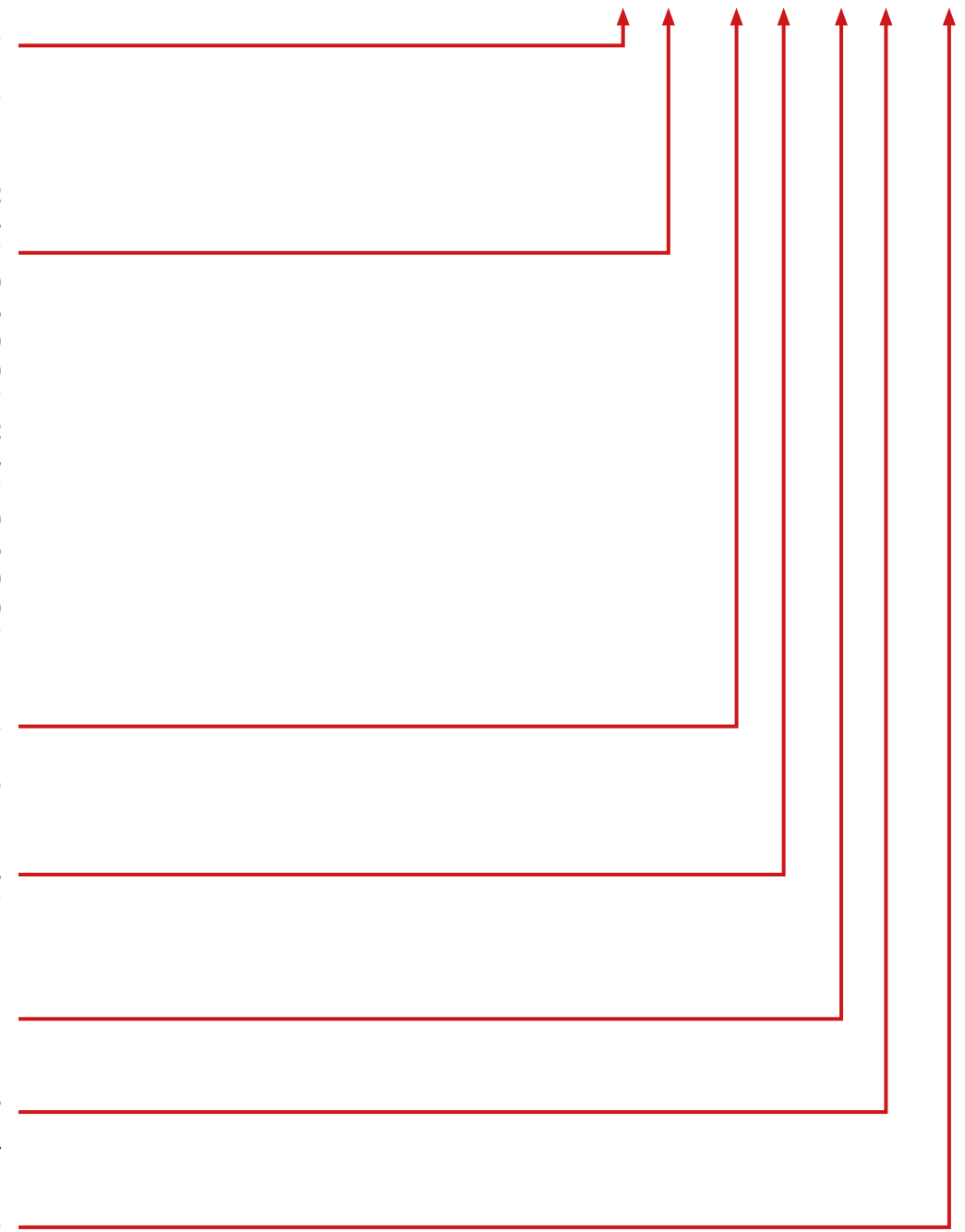
| | |
|-------------|-----------|
| 1 End Feed | 1E |
| 1 Rear Feed | 1R |

Mounting Brackets

| | |
|---------------|----------|
| Fixed Bracket | F |
| Adjustable | A |

Length

| | |
|-----|-------------|
| TBC | #### |
|-----|-------------|



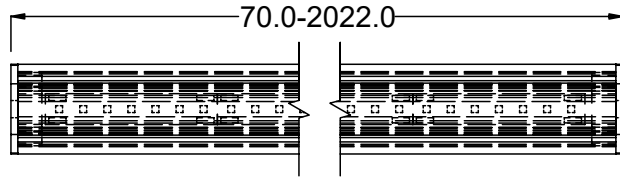
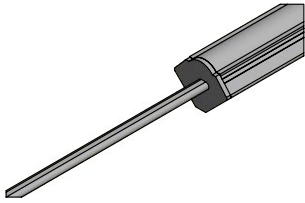
* 2200K, 2400K not available in IP67

** Tolerances in CCT with IP67 products can occur due to manufacturing process

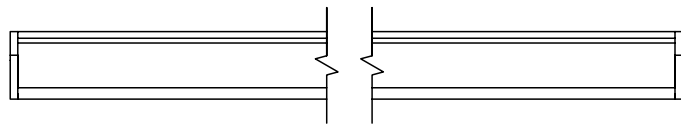
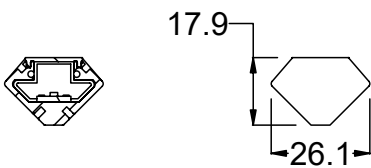


Specification Drawings

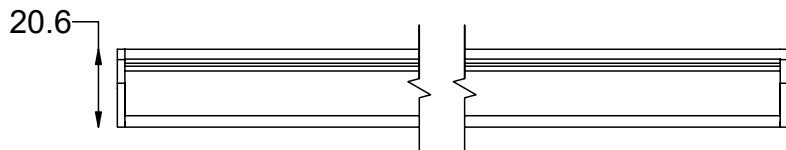
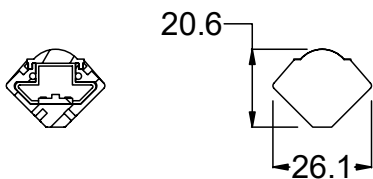
Standard Cable Entry 300mm Tail



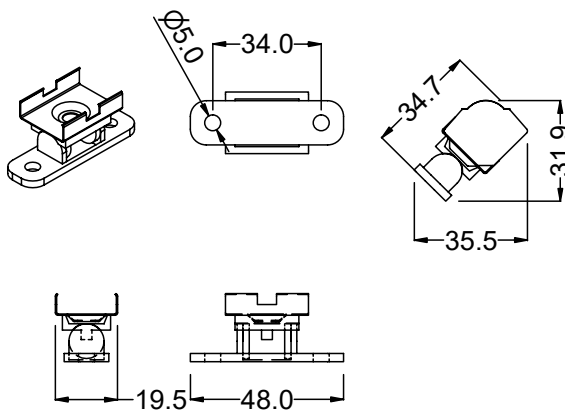
Flat Diffuser



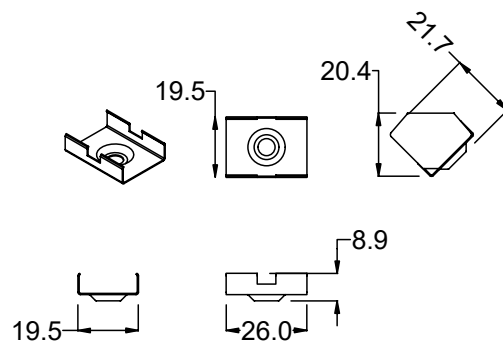
Round Diffuser



Adjustable Bracket



Surface Mount Clip



Complies with EN60598-1 and pertinent regulations



Please contact our sales team on **+44(0)113 263 9039** for further assistance

Specifications are subject to change without prior notice. Please refer to our website for most up to date version

