



## Overview

Zeta 40 is a powerful wall washing linear LED luminaire which can provide an even wash of light up to ten metres, with an efficacy of over 117 lumens per watt. Dynamic White systems are available for creating smooth variations in colour temperature to suit the space and its usage.

## Applications

- Wall Washing • Facades • Archways & Tunnels

## Features

- High Lumen Output System
- Efficacy of 117 lumens per watt
- Dynamic White options
- Various colour options
- Energy efficient
- 3 step MacAdam
- Dimmable
- IP66 or IP40
- Excellent thermal management
- Low thermal resistance

## Technical information

Product Specification	KL-ZE-40
LED Type	CREE - Lumileds
LED Pitch (mm)	40mm
Binning	3 step MacAdam
Lumens Per Mtr	3275
Lifetime LM80 (25°C)	> 50,000hrs
Drive Current	700mA
Efficacy (Lumens per Watt)	117 (4000K)
DC Power (Watts)	28W
CCT	2700K - 3000K - 4000K - 5700K - Dynamic White - Red - Blue - Green - Amber
Colours	Red - Blue - Green - Amber
Beam Angle	15° - 25° - 45° - 18° x 48° - 60° - 90° - 120°
CRI	>80
Dimming Options	0-10v - DALI - DMX
IP Rating	IP40 - IP66
Ambient Operating Temp	-20°C to 50°C
Fixing Bracket Type	40mm - 60mm - 160mm - 310mm (Adjustable)
Diffuser (Optional)	Clear - Opal
Available Lengths	335mm > 2004mm (84mm increments)
Weight	1.56Kg per mtr

Specifications are subject to change without prior notice. Please refer to our website for the most up to date version.

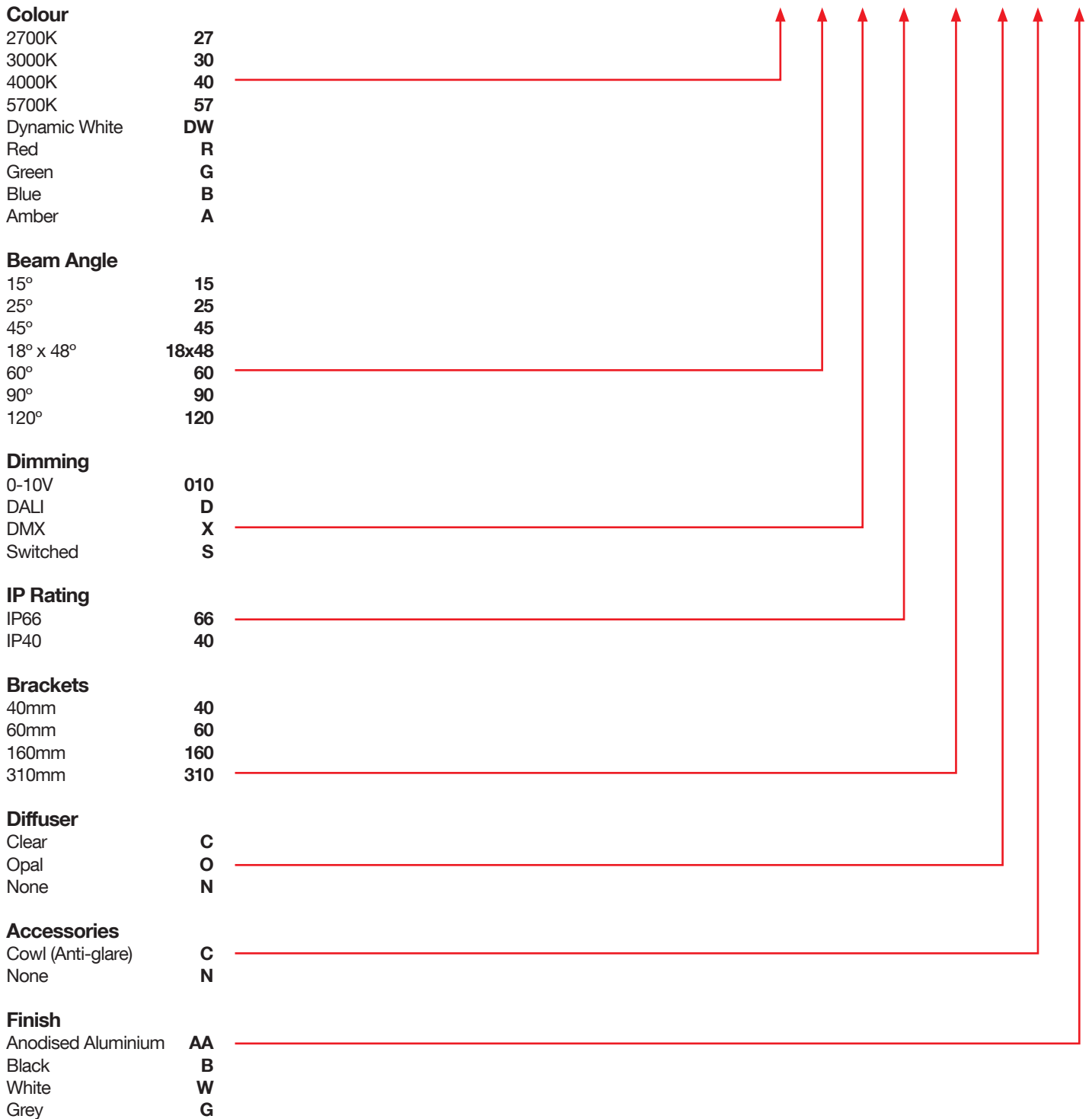


**ZETA**



Product Selector:

KL-ZE-40-27-60-X-66-310-O-C-AA



Please contact our sales team on +44(0)113 263 9039 for further assistance.



# Photometrics

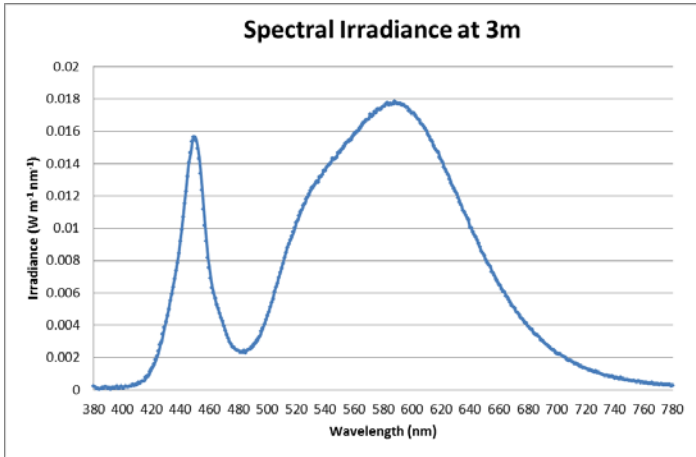


Figure 1: Spectral Irradiance

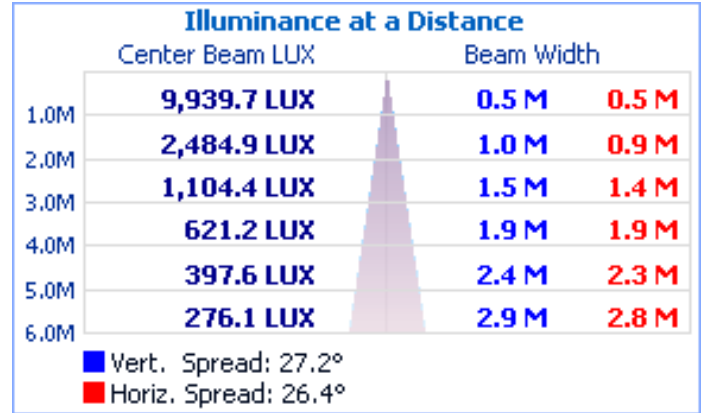


Figure 5. Cone diagram for mounting height of 6 metres.

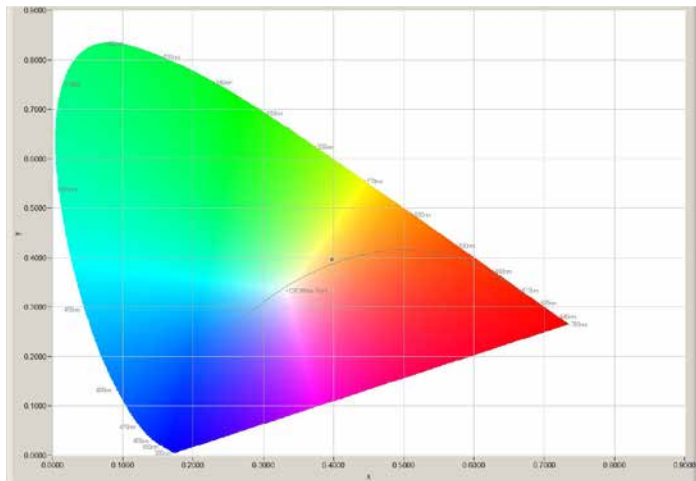


Figure 2: CIE 1931 diagram.

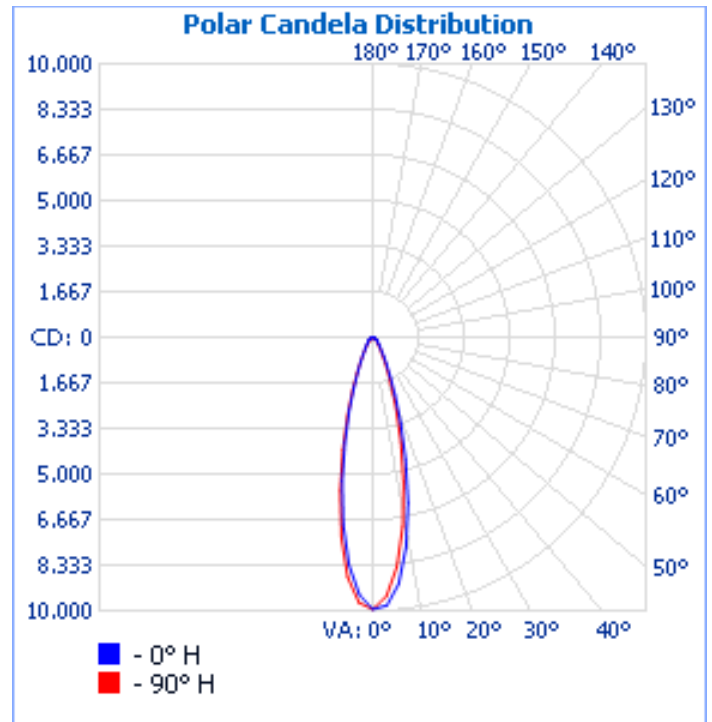
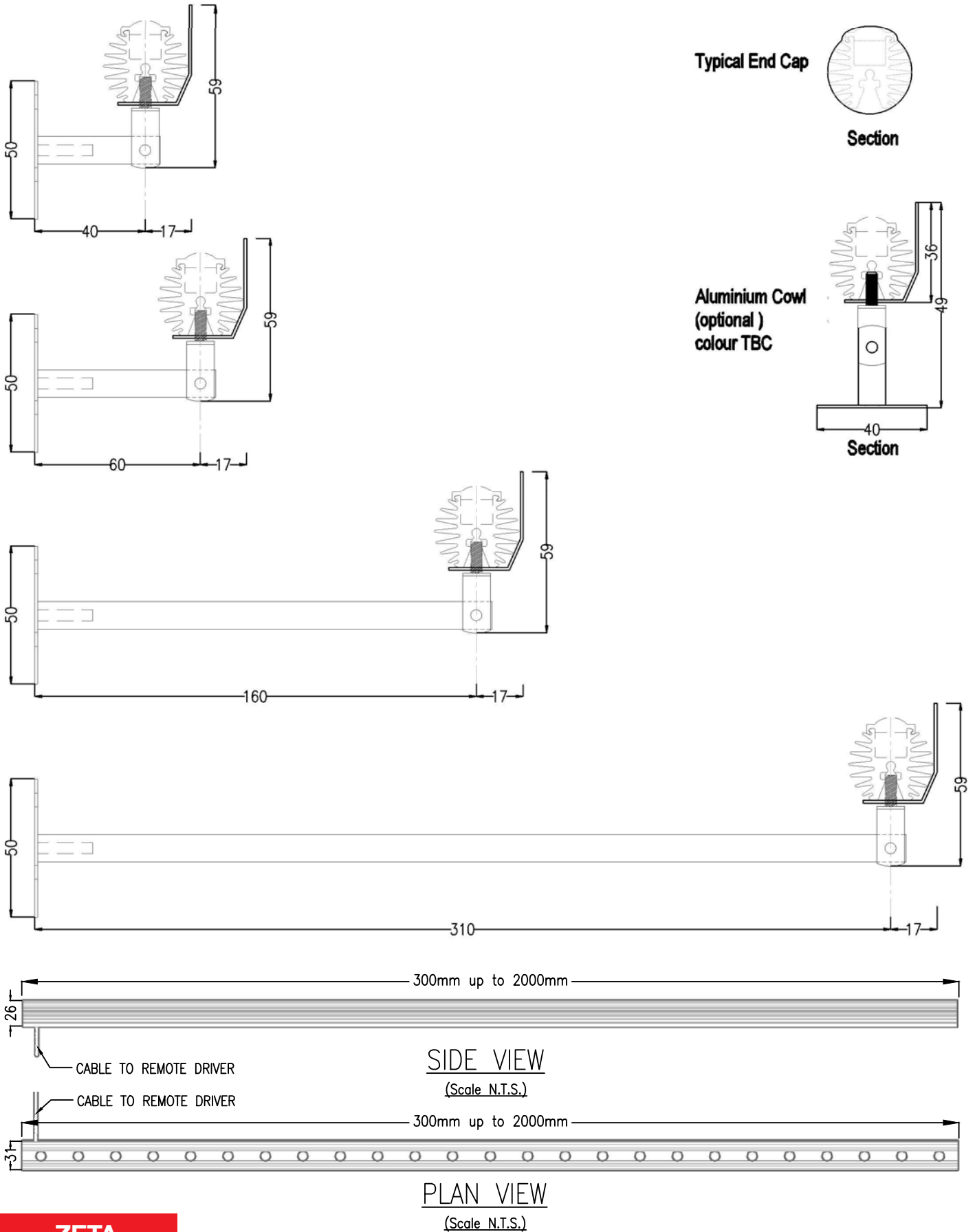


Figure 4: Far-Field Luminous Intensity (C0-180, C90-270, Polar Coordinates)

Please contact our sales team on **+44(0)113 263 9039** for further assistance.



Section Details

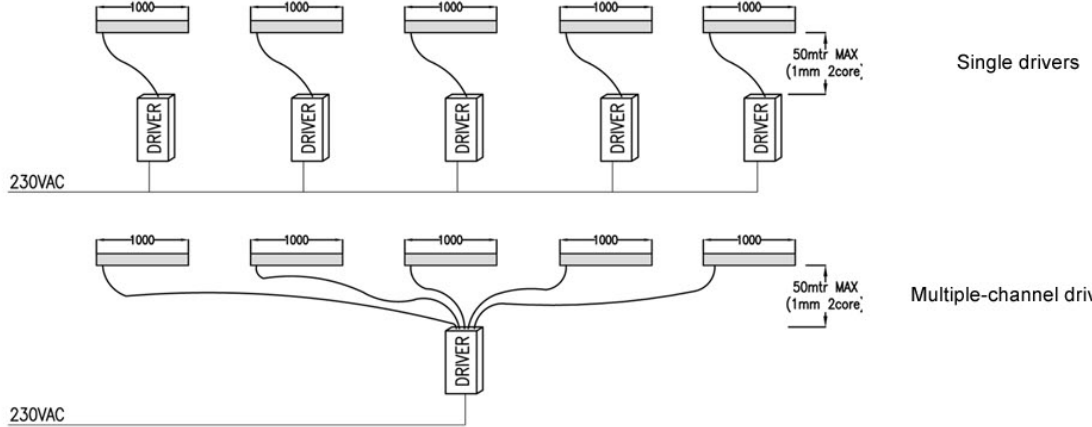


**ZETA**

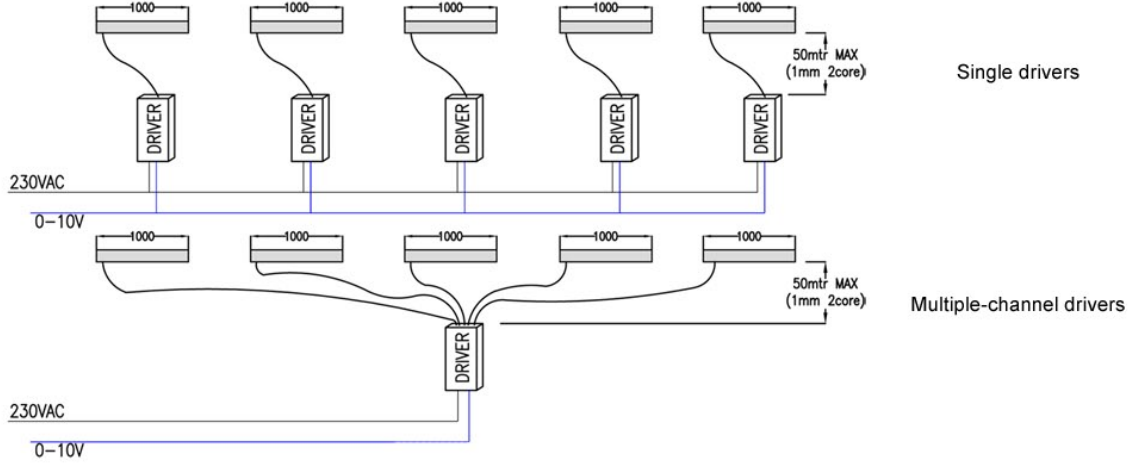


## Typical Installations

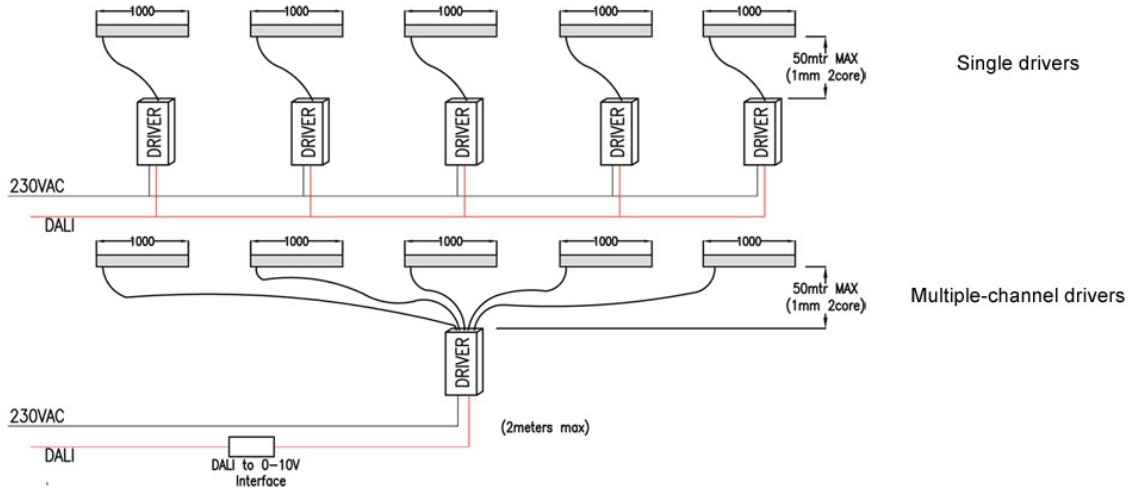
### Switched



### 0-10V



### DALI



### DMX

