



## Overview

Zeta 100 is a powerful wall washing linear LED luminaire which can provide an even wash of light up to 6 metres, with an efficacy of over 79 lumens per watt. Dynamic White systems are available for creating smooth variations in colour temperature to suit the space and its usage.

## Applications

- Wall Washing • Facades • Archways & Tunnels

## Features

- High Lumen Output System
- Efficacy of 79 lumens per watt
- Dynamic White options
- Various colour options
- Energy efficient
- 3 step MacAdam
- Dimmable
- IP66 or IP40
- Excellent thermal management
- Low thermal resistance

## Technical information

Product Specification	KL-ZE-100
LED Type	CREE - Lumileds
LED Pitch (mm)	100mm
Binning	3 step MacAdam
Lumens Per Mtr	1973
Lifetime LM80 (25°C)	> 50,000hrs
Drive Current	700mA
Efficacy (Lumens per Watt)	79 (4000K)
DC Power (Watts)	25W
CCT	2700K - 3000K - 4000K - 5700K - Dynamic White - Red - Blue - Green - Amber
Colours	Red - Blue - Green - Amber
Beam Angle	15° - 25° - 45° - 18° x 48° - 60° - 90° - 120°
CRI	>80
Dimming Options	0-10v - DALI - DMX
IP Rating	IP40 - IP66
Ambient Operating Temp	-20°C to 50°C
Fixing Bracket Type	40mm - 60mm - 160mm - 310mm (Adjustable)
Diffuser (Optional)	Clear - Opal
Available Lengths	300mm > 2000mm (100mm increments)
Weight	1.36Kg per mtr

Specifications are subject to change without prior notice. Please refer to our website for the most up to date version.

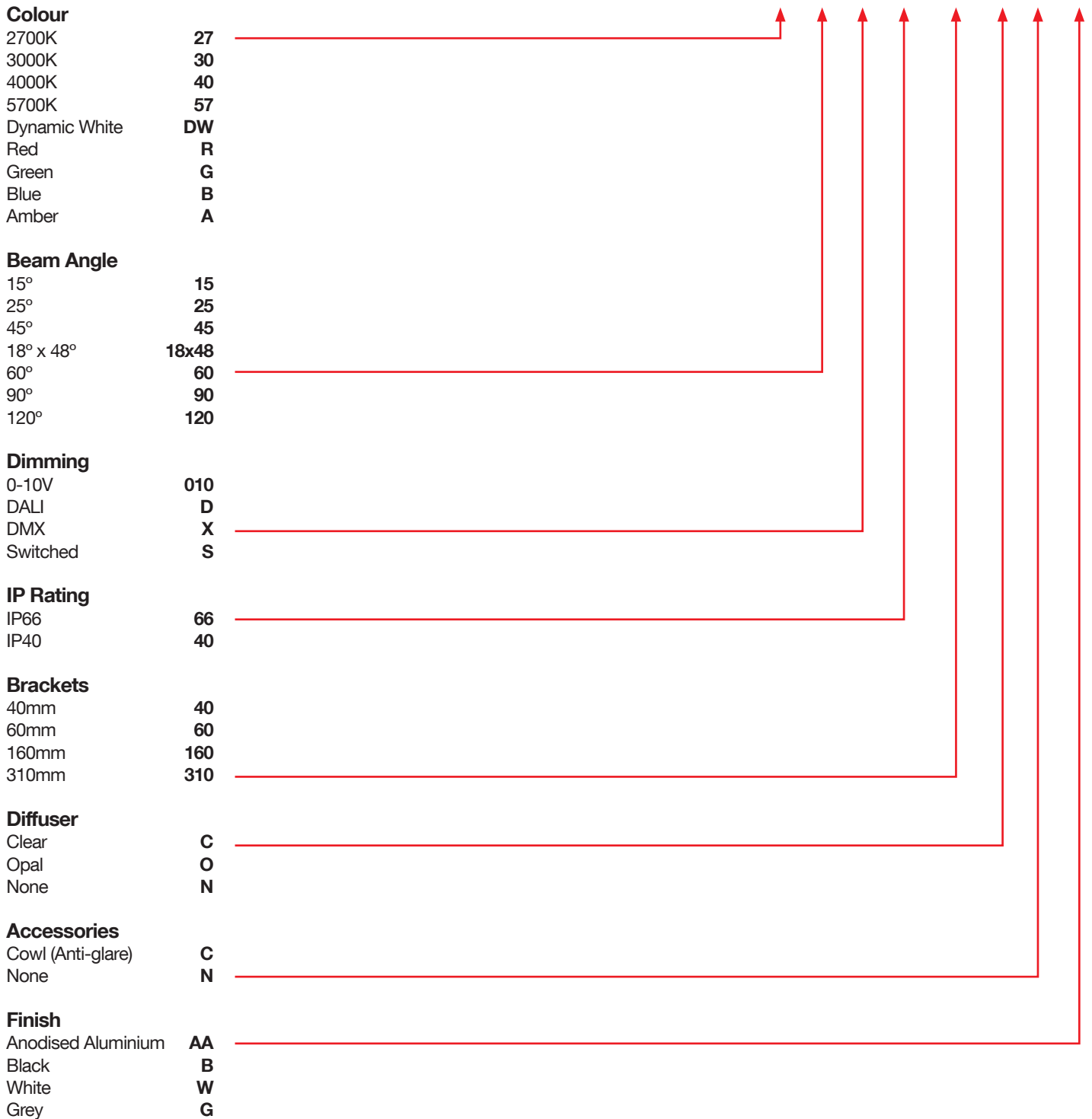


**ZETA**



Product Selector:

KL-ZE-100-27-60-X-66-310-C-N-AA



Please contact our sales team on +44(0)113 263 9039 for further assistance.



# Photometrics

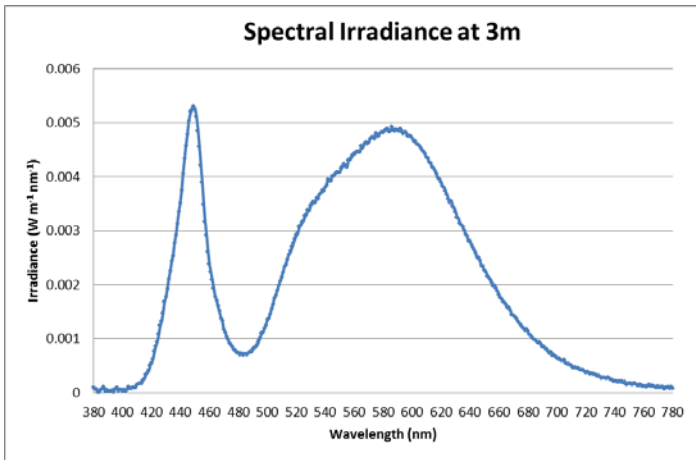


Figure 1: Spectral Irradiance

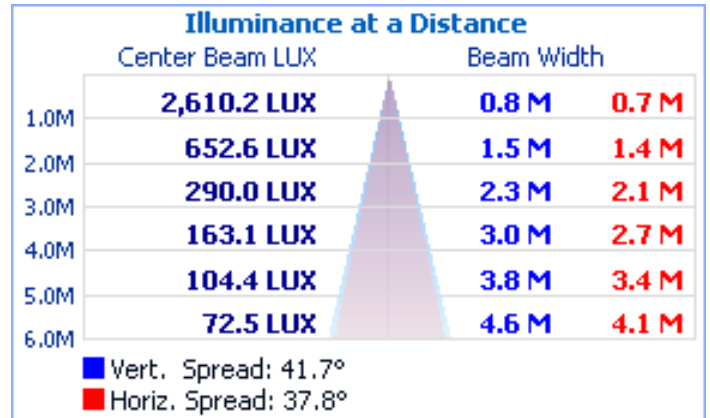


Figure 5. Cone diagram for mounting height of 6 metres.

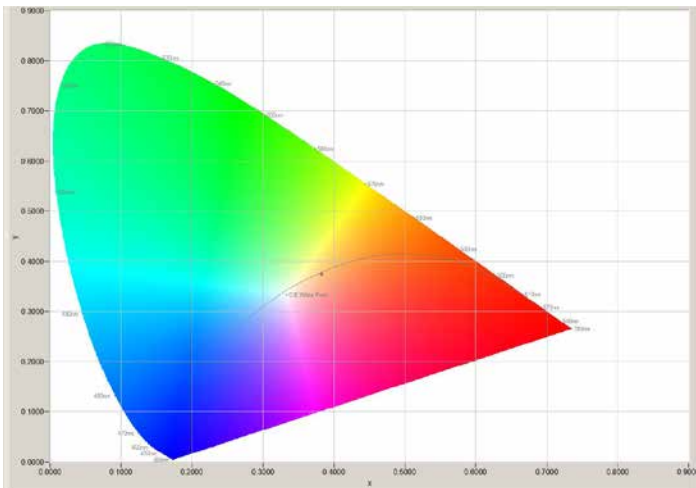


Figure 2: CIE 1931 diagram.

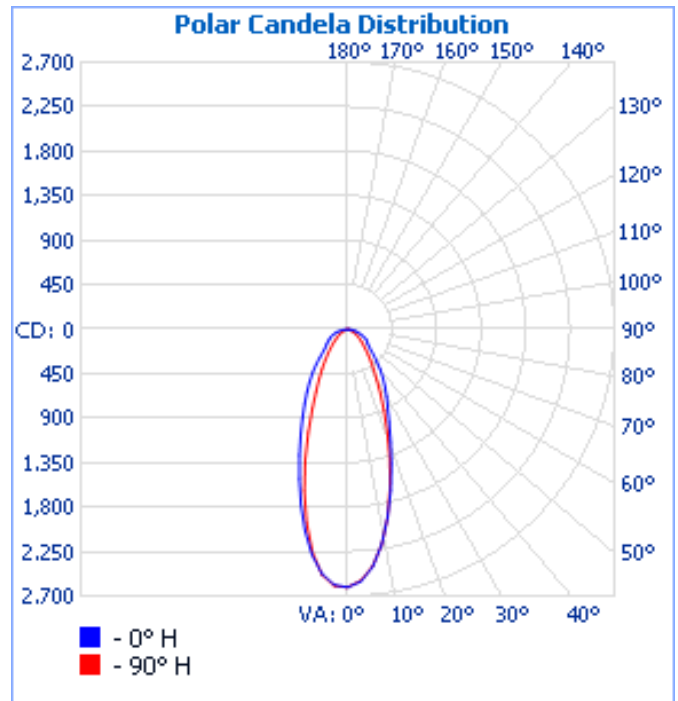
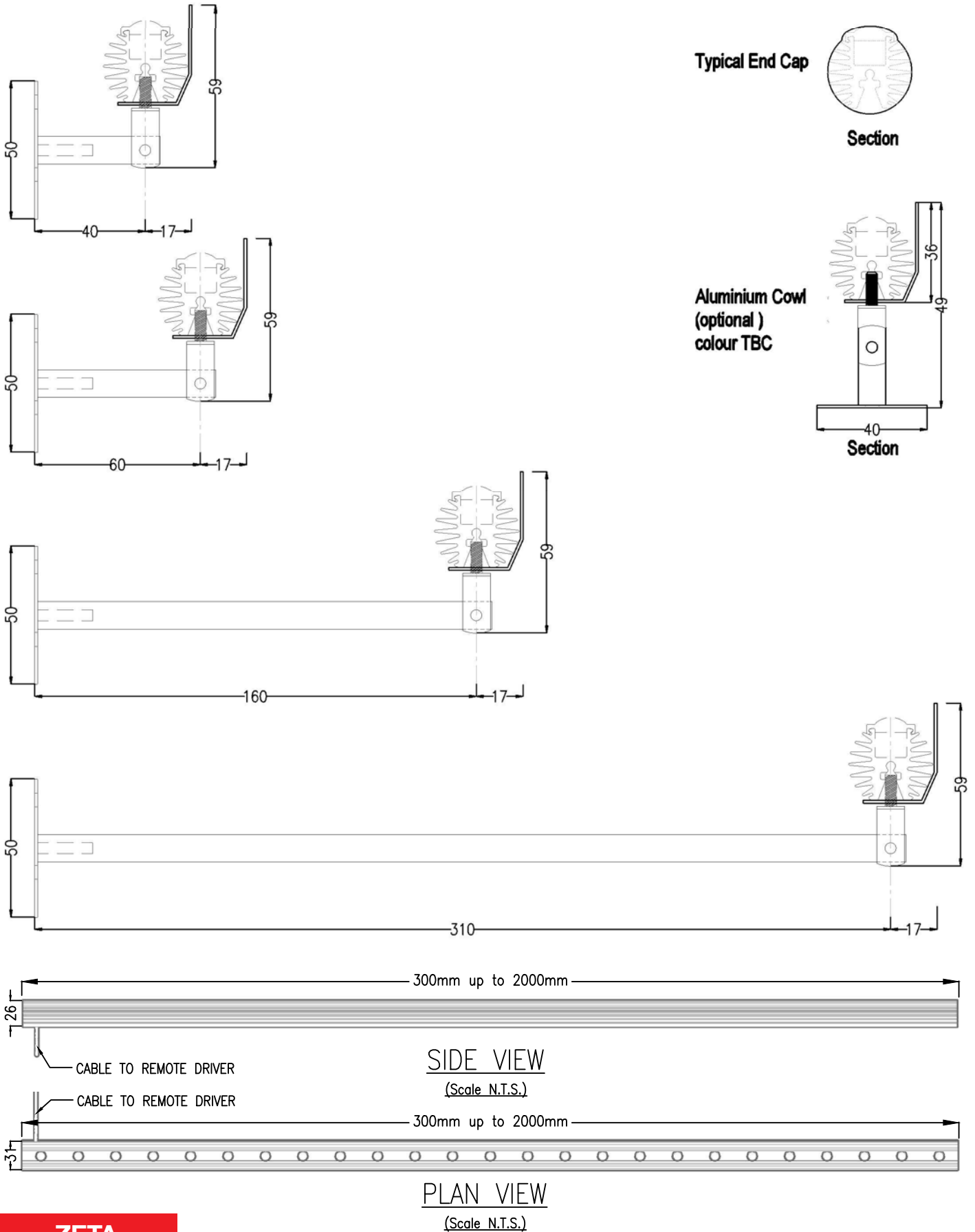


Figure 4: Far-Field Luminous Intensity (C0-180, C90-270, Polar Coordinates)

Please contact our sales team on **+44(0)113 263 9039** for further assistance.



Section Details

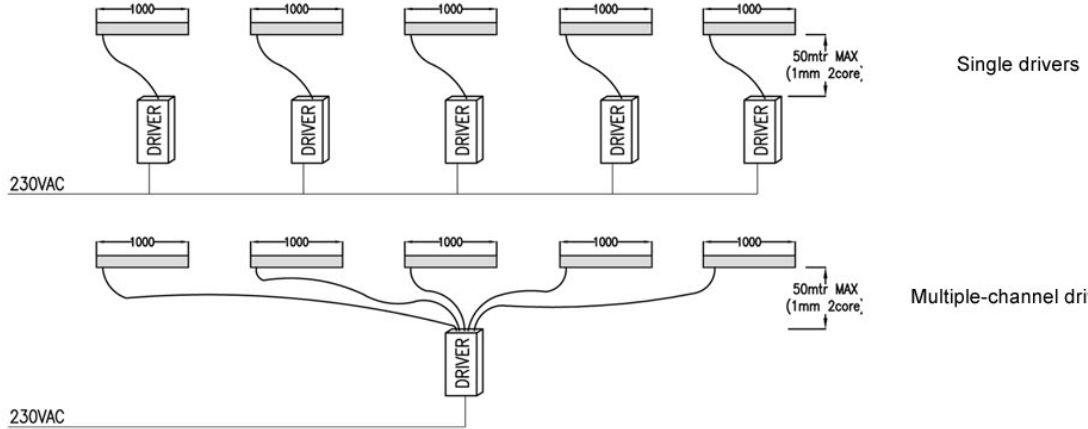


**ZETA**

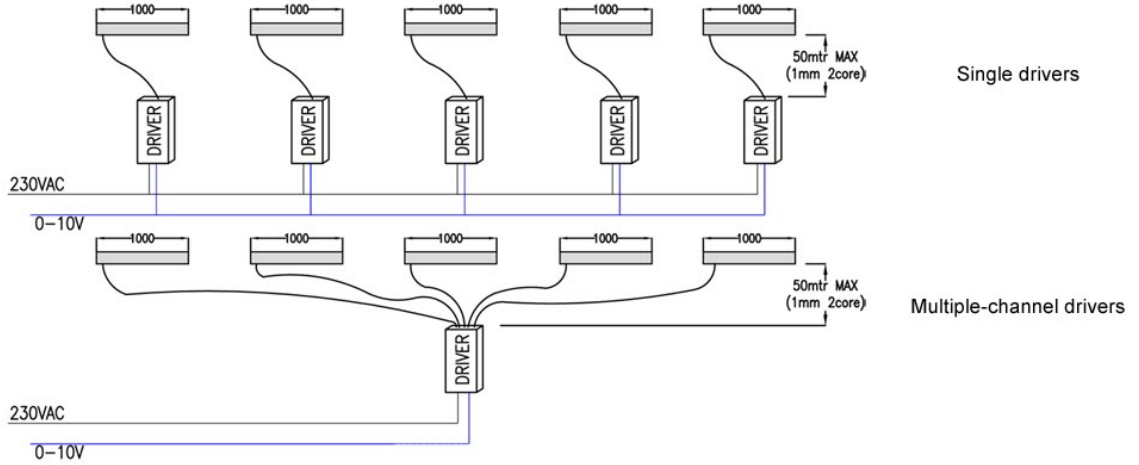


## Typical Installations

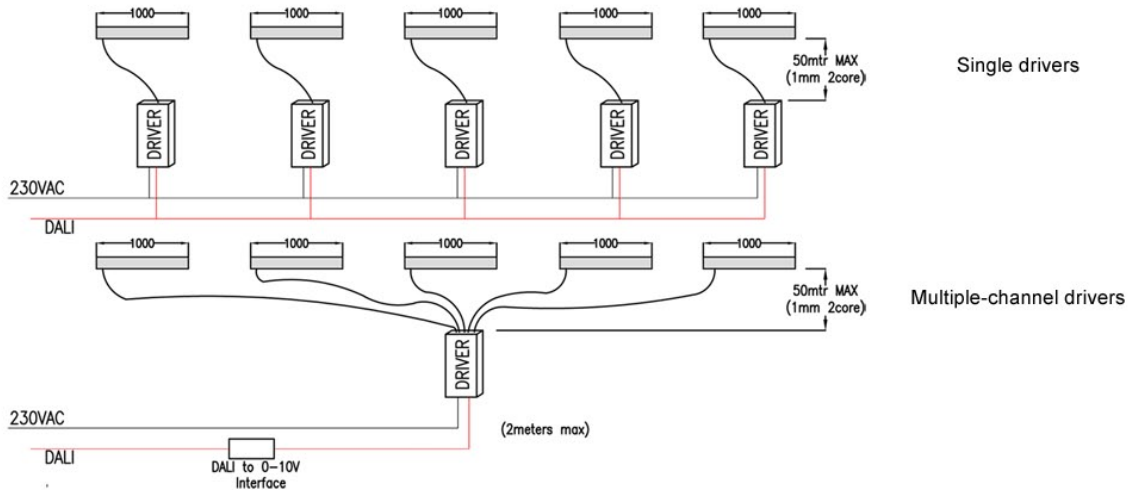
### Switched



### 0-10V



### DALI



### DMX

