



Applications

- Facades
- Wall Washing
- Landscapes

Features

- IP67
- Colour temperatures from 2200K to 5700K available
- Various dimming options
- Luxeon LEDs
- >80 & >90 CRI options
- 50mm Pitch
- 3 different fitting lengths
- Various Beam Angles
- Adjustable brackets
- Constant current
- 50,000hrs @ LM80 lifetime
- Toughened screen printed glass
- Solid aluminium body for thermal management

Benefits

- Suitable for exterior use
- Various colour options available
- Various power options
- Switched - 0-10V - DALI - Phase - Bluetooth
- High performance LED
- Excellent colour rendering
- Beam angles of 10° - 25° - 32° - 45° - 50°x11° available
- Remote drivers up to 50m from fitting
- ROHS Compliant
- Designed & manufactured in the UK

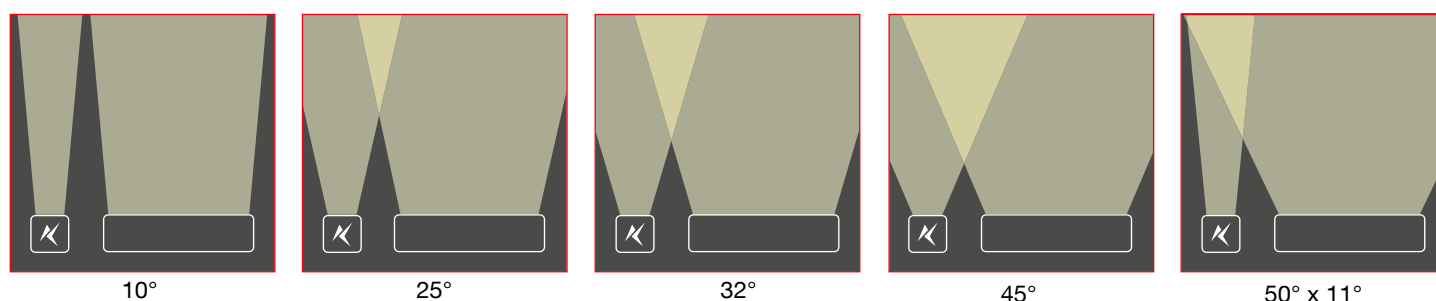


ALP3-MO50

Technical Information

Product Specification	ALP3 - MO50		
Lumen Output (lm) - (4000K 80CRI - 1228mm)	2775	3592	5059
Power - 4000K - 1228mm (W)	24	36	48
Drive Current (mA)	700mA	1050mA	1400mA
Colours	2200K - 2700K - 3000K - 3500K - 4000K - 5000K - 5700K Red - Green - Royal Blue - Blue - Amber		
CRI	>80 - >90		
LED Chip	Luxeon ZES		
LED's Per Fitting (1228mm)	24		
Control	Switched - 0-10V - DALI - Phase - Bluetooth		
Beam Angles	10° - 25° - 32° - 45° - 50°x11°		
Lifetime @ LM80	50,000hrs @ 25°C		
Operating Temperature	25°C to 55°C		
IP Rating	IP67		
Lens	Toughened Screen Printed Clear Glass		
Finish	Anodised Aluminium - Black Anodised Aluminium		
Mounting	Adjustable Brackets		
Weight (kg/m)	2.30kg		

Beam Angle Diagrams



ALP3-MO50

Product Selector

ALP3-MO50-70-830-45-AA-A-X-1228

Drive Current

1400mA	140
1050mA	105
700mA	70

Colour

>80 CRI - 2200K	822
>80 CRI - 2700K	827
>80 CRI - 3000K	830
>80 CRI - 3500K	835
>80 CRI - 4000K	840
>80 CRI - 5000K	850
>80 CRI - 5700K	857

>90 CRI - 2200K	922
>90 CRI - 2700K	927
>90 CRI - 3000K	930
>90 CRI - 3500K	935
>90 CRI - 4000K	940
>90 CRI - 5000K	950
>90 CRI - 5700K	957

Red	R
Green	G
Royal Blue	RB
Blue	B
Amber	A

Optics

10°	10
25°	25
32°	32
45°	45
50°x11°	5011

Finish*

Anodised Aluminium	AA
Anodised Black	AB

Bracket

Adjustable	A
Custom	C

Anti-Glare

None	X
Cowl	C

Length

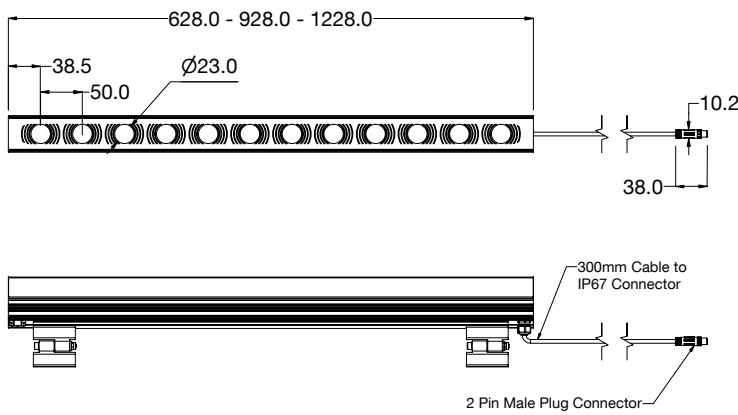
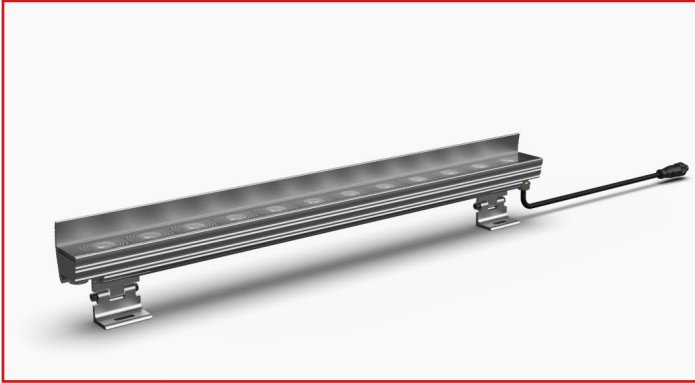
1228mm	1228
928mm	928
628mm	628

* Special anodised aluminium colour finishes available on request

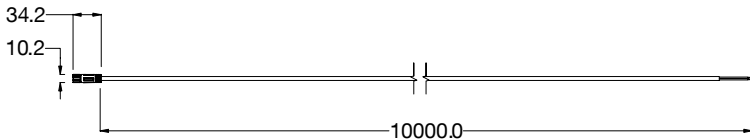
ALP3-MO50



Specification Drawings



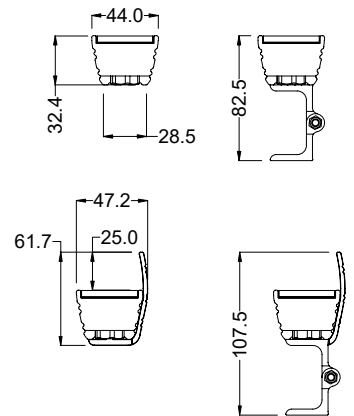
Extension Lead



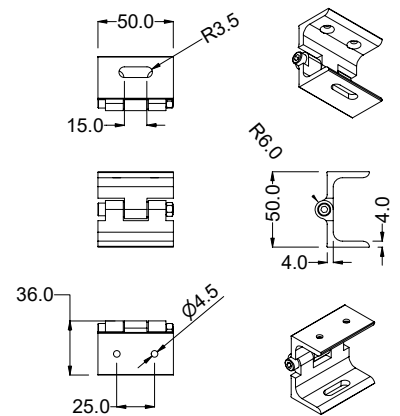
Alphaeus 3 fittings are provided with a 300mm cable with Male plug connector. Extension cables with Female socket connector must be purchased separately.

Order Code	Description	Compatible Products
CA051	M8 female 2 core assembly, PUR, 10000mm	ALP3-MO50

Fitting End Views



Adjustable Bracket



Complies with EN60598-1 and pertinent regulations



Please contact our sales team on +44(0)113 263 9039 for further assistance

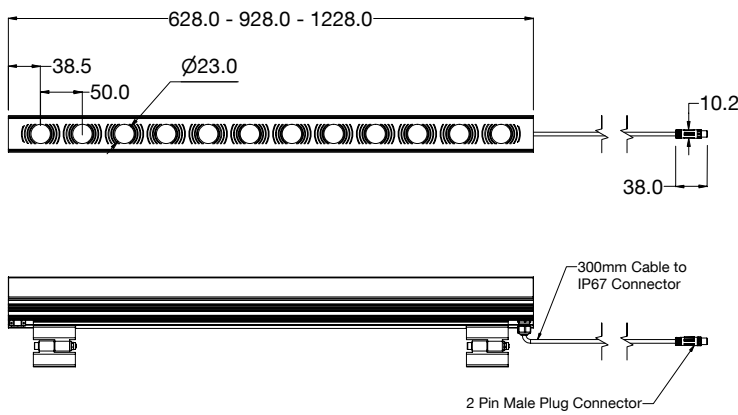
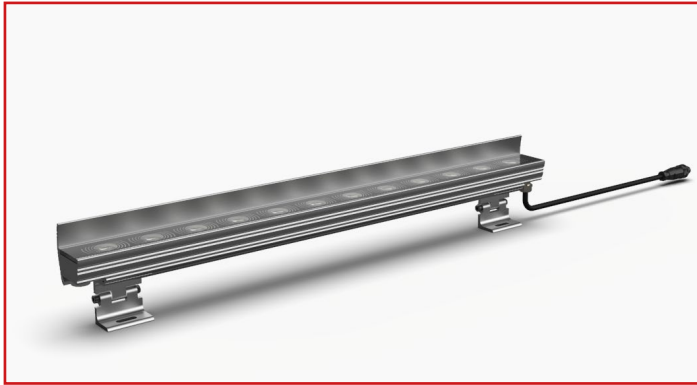
Specifications are subject to change without prior notice. Please refer to our website for most up to date version

ALP3-MO50

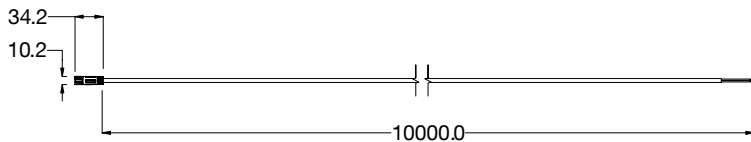
Rev 4 - 11/19



Specification Drawings



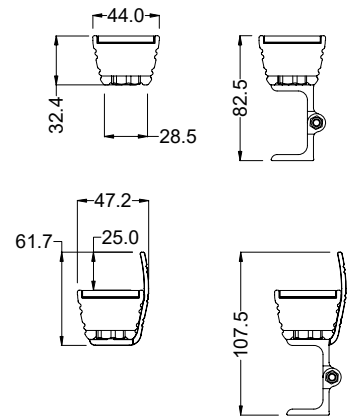
Extension Lead



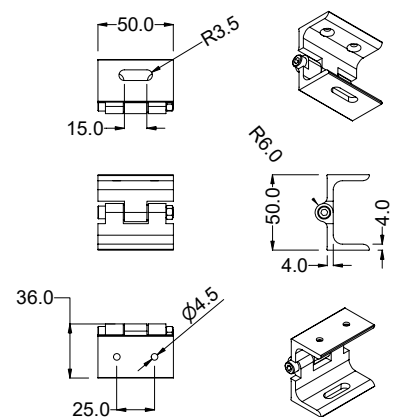
Alphaeus 3 fittings are provided with a 300mm cable with Male plug connector. Extension cables with Female socket connector must be purchased separately.

Order Code	Description	Compatible Products
CA051	M8 female 2 core assembly, PUR, 10000mm	ALP3-MO50

Fitting End Views



Adjustable Bracket



Complies with EN60598-1 and pertinent regulations



Please contact our sales team on **+44(0)113 263 9039** for further assistance

Specifications are subject to change without prior notice. Please refer to our website for most up to date version

ALP3-MO50

Rev 5 - 12/19

