



Applications

- Facades
- Wall Washing
- Landscapes

Features

- IP67
- Colour temperatures from 2200K to 5700K available
- Various dimming options
- Luxeon LEDs
- >80 & >90 CRI options
- 50mm Pitch
- 3 different fitting lengths
- Various Beam Angles
- Adjustable brackets
- Constant current
- 50,000hrs @ LM80 lifetime
- Toughened screen printed glass
- Solid aluminium body for thermal management

Benefits

- Suitable for exterior use
- Various colour options available
- Various power options
- Switched - 0-10V - DALI - Phase - Bluetooth
- High performance LED
- Excellent colour rendering
- Beam angles of 10° - 25° - 32° - 45° - 50°x11° available
- Remote drivers up to 50m from fitting
- ROHS Compliant
- Designed & manufactured in the UK

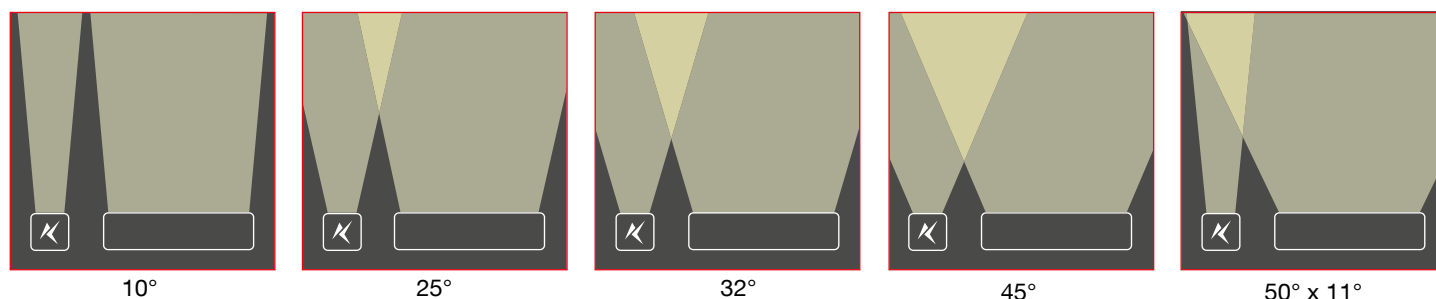


ALP3-MO50

Technical Information

Product Specification	ALP3 - MO50		
Lumen Output (lm) - (4000K 80CRI - 1227mm)	2775	3592	5059
Power - 4000K - 1227mm (W)	24	36	48
Drive Current (mA)	700mA	1050mA	1400mA
Colours	2200K - 2700K - 3000K - 3500K - 4000K - 5000K - 5700K -Red - Green - Royal Blue - Blue - Amber		
CRI	>80 - >90		
LED Chip	Luxeon ZES		
LED's Per Fitting (1227mm)	24		
Control	Switched - 0-10V - DALI - Phase - Bluetooth		
Beam Angles	10° - 25° - 32° - 45° - 50°x11°		
Lifetime @ LM80	50,000hrs @ 25°C		
Operating Temperature	25°C to 55°C		
IP Rating	IP67		
Lens	Toughened Screen Printed Clear Glass		
Finish	Anodised Aluminium - Black Anodised Aluminium		
Mounting	Adjustable Brackets		
Weight (kg/m)	2.30kg		

Beam Angle Diagrams



ALP3-MO50

Product Selector

KL-ALP3-MO50-70-30-80-D-45-AA-X-1227

Drive Current

- 1400mA **140**
- 1050mA **105**
- 700mA **70**

Colour

- 2200K **22**
- 2700K **27**
- 3000K **30**
- 3500K **35**
- 4000K **40**
- 5000K **50**
- 5700K **57**
- Red **R**
- Green **G**
- Royal Blue **RB**
- Blue **B**
- Amber **A**

CRI

- >80 **80**
- >90 **90**

Control

- Switched **S**
- 0-10V **010**
- DALI **D**
- Phase **P**
- Bluetooth **B**

Optics

- 10° **10**
- 25° **25**
- 32° **32**
- 45° **45**
- 50°x11° **5011**

Finish*

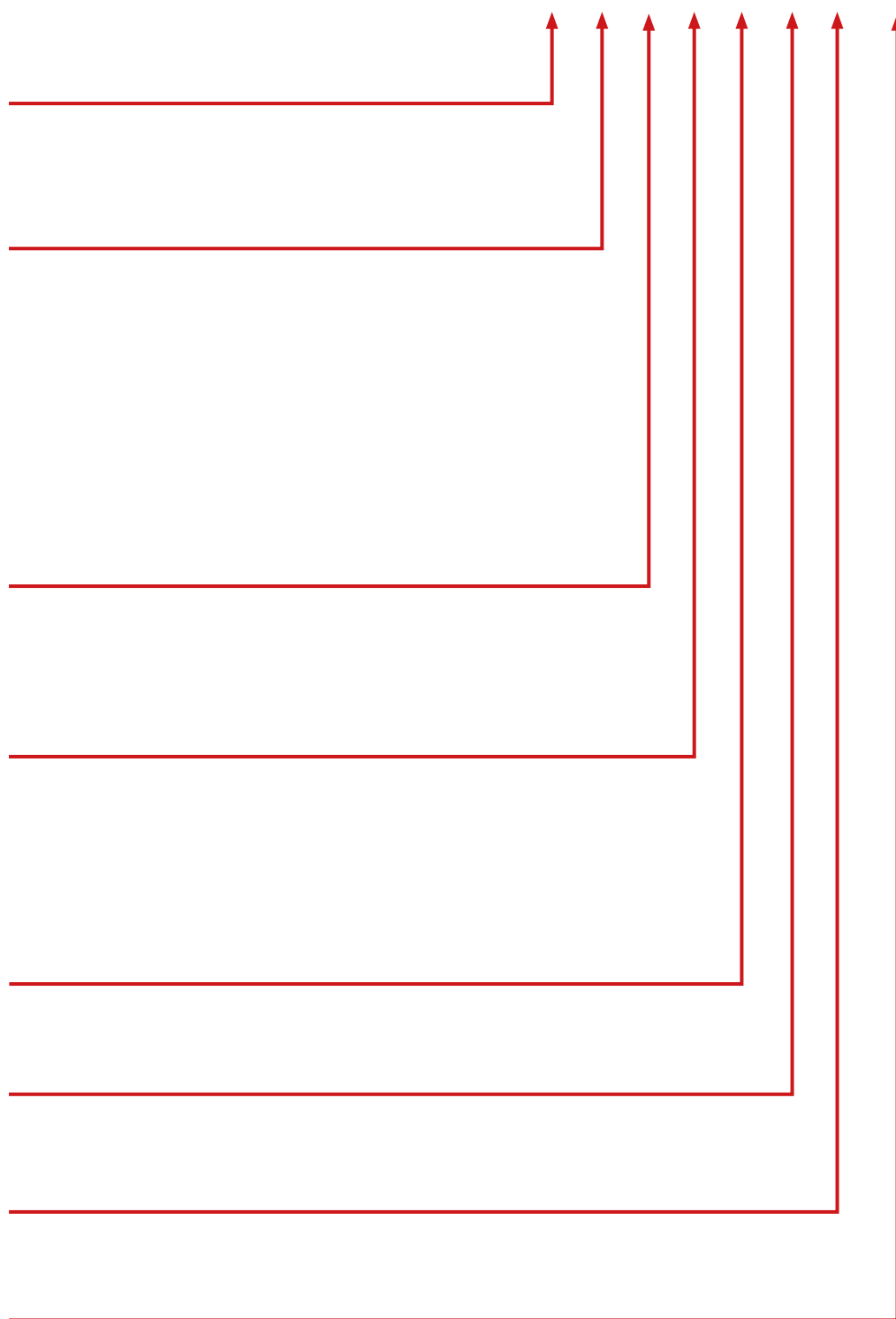
- Anodised Aluminium **AA**
- Anodised Black **AB**

Anti-Glare

- None **X**
- Cowl **C**

Length

- 1227mm **1227**
- 927mm **927**
- 627mm **627**

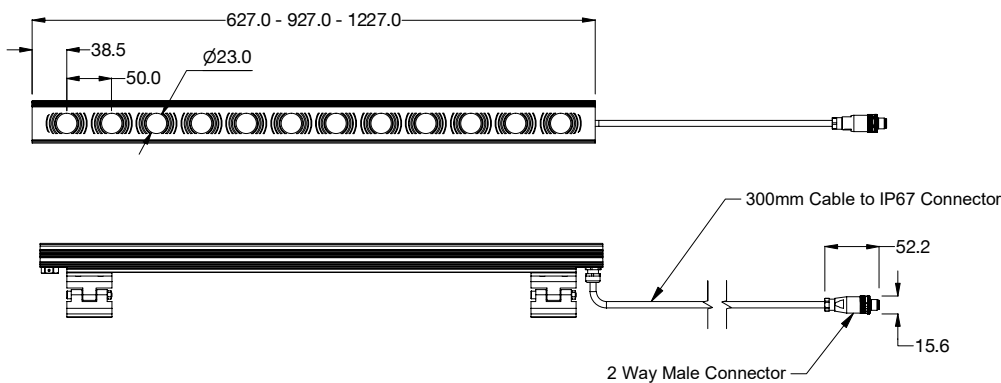
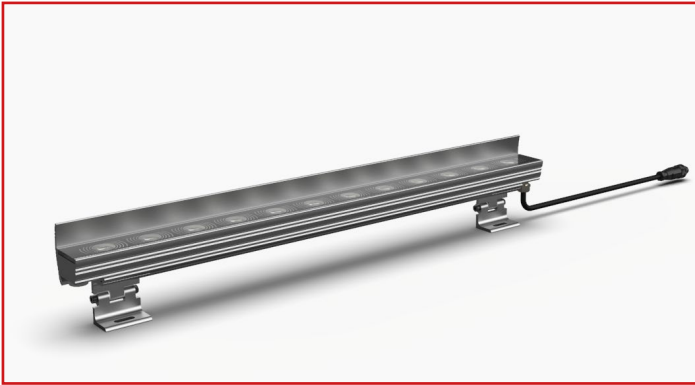


* Special anodised aluminium colour finishes available on request

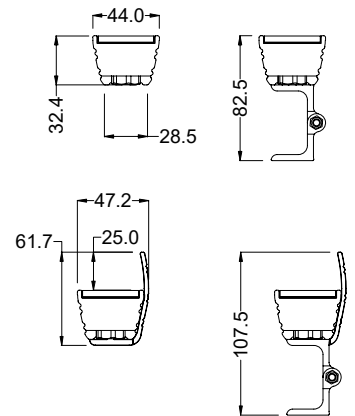
ALP3-MO50



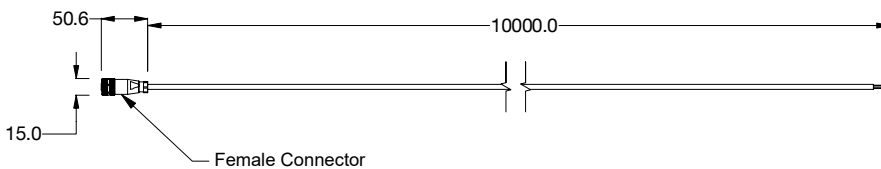
Specification Drawings



Fitting End Views

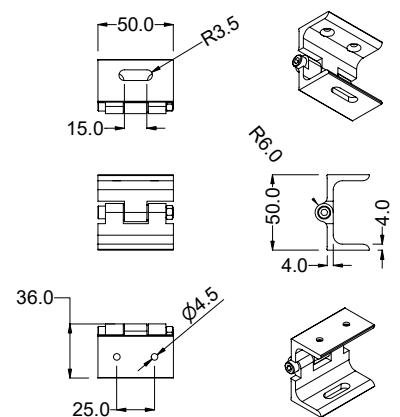


Extension Lead



Alphaeus 3 fittings are provided with a 300mm cable with Male connector. Extension cables with Female connector must be purchased separately.

Adjustable Bracket



Order Code	Description	Compatible Products
KL-JE2F10	2 Way 10m Extension Lead - Female Connector to Bare Ends	ALP3-MO50/ALP3-MO25
KL-JE5F10	5 Way 10m Extension Lead - Female Connector to Bare Ends	ALP3-DW50/ALP3-DW25

Complies with EN60598-1 and pertinent regulations



Please contact our sales team on **+44(0)113 263 9039** for further assistance

Specifications are subject to change without prior notice. Please refer to our website for most up to date version

ALP3-MO50

Rev 0 - 04/19

