

## Applications

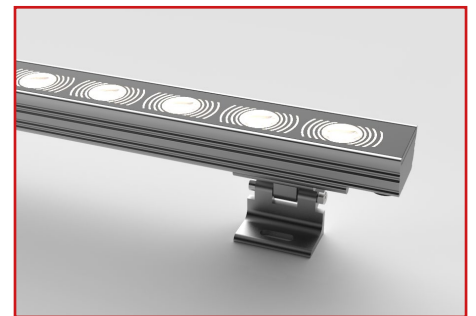
- Facades
- Wall Washing
- Landscapes

## Features

- IP67
- Colour temperatures from 2200K to 5700K available
- Various dimming options
- Luxeon LEDs
- >80 & >90 CRI options
- 50mm Pitch
- 3 different fitting lengths
- Various Beam Angles
- Adjustable brackets
- Constant current
- 50,000 hrs @ LM80 lifetime
- Toughened screen printed glass
- Solid aluminium body for thermal management

## Benefits

- Suitable for exterior use
- Various power options
- 0-10V - DALI - DMX - Bluetooth
- High performance LED
- Excellent colour rendering
- Beam angles of 10° - 25° - 32° - 45° - 50°x11° available
- Remote drivers up to 50m from fitting
- ROHS Compliant
- Designed & manufactured in the UK

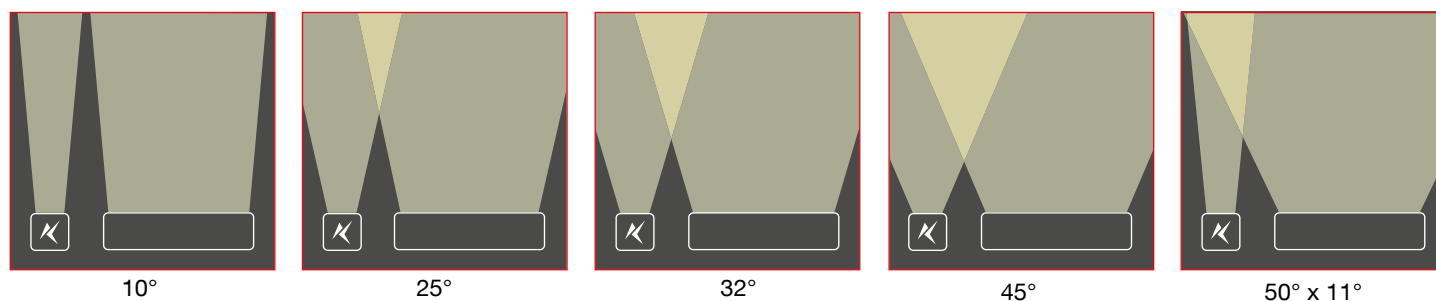


## ALP3-DW50

## Technical Information

Product Specification	ALPHAEUS 3 - DW50	
Lumen Output (lm) - (4000K - 1228mm)	1650	2200
Power - 4000K - 1228mm (W)	30 (15W/Ch)	42 (21W/Ch)
Drive Current (mA)	500mA	700mA
Colours	Dynamic White Combination of -2200K - 2700K - 3000K - 4000K - 5700K	
CRI	>80 - >90	
LED Chip	Luxeon ZES	
LED's Per Fitting (1228mm)	24 (12 each colour)	
Control	0-10V - DALI - DMX - Bluetooth	
Beam Angles	10° - 25° - 32° - 45° - 50°x11°	
Lifetime @ LM80	50,000hrs @ 25°C	
Operating Temperature	25°C to 55°C	
IP Rating	IP67	
Lens	Toughened Screen Printed Clear Glass	
Finish	Anodised Aluminium - Black Anodised Aluminium	
Mounting	Adjustable Brackets	
Weight (kg/m)	2.30kg	

## Beam Angle Diagrams



## ALP3-DW50

**Product Selector**

**KL-ALP3-DW50-50-822-840-45-AA-A-X-1228**

**Drive Current**

700mA                    **70**  
 500mA                    **50**

**Colour 1\***

>80 CRI - 2200K            **822**  
 >80 CRI - 2700K            **827**  
 >80 CRI - 3000K            **830**  
 >80 CRI - 4000K            **840**  
 >90 CRI - 2700K            **927**  
 >90 CRI - 3000K            **930**  
 >90 CRI - 4000K            **940**  
 >90 CRI - 5700K            **957**

**Colour 2\***

>80 CRI - 2200K            **822**  
 >80 CRI - 2700K            **827**  
 >80 CRI - 3000K            **830**  
 >80 CRI - 4000K            **840**  
 >90 CRI - 2700K            **927**  
 >90 CRI - 3000K            **930**  
 >90 CRI - 4000K            **940**  
 >90 CRI - 5700K            **957**

**Optics**

10°                            **10**  
 25°                            **25**  
 32°                            **32**  
 45°                            **45**  
 50°x11°                    **5011**

**Finish\***

Anodised Aluminium        **AA**  
 Anodised Black              **AB**

**Bracket**

Adjustable                    **A**  
 Custom                        **C**

**Anti-Glare**

None                            **X**  
 Cowl                            **C**

**Length**

1228mm                    **1228**  
 928mm                      **928**  
 628mm                      **628**

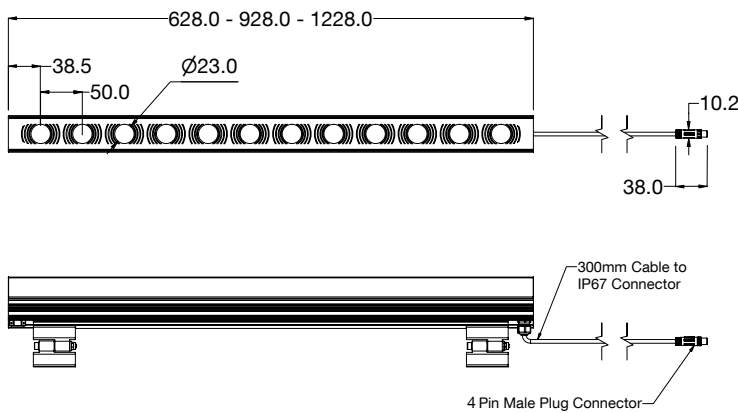
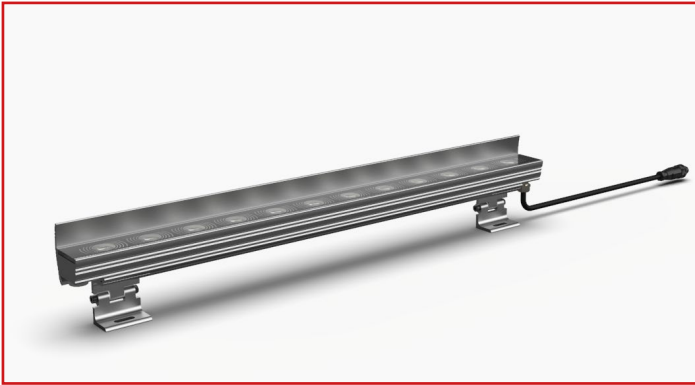
\* 2200K not available in CRI >90 - 5700K Not Available in CRI >80

\*\* Special anodised aluminium colour finishes available on request

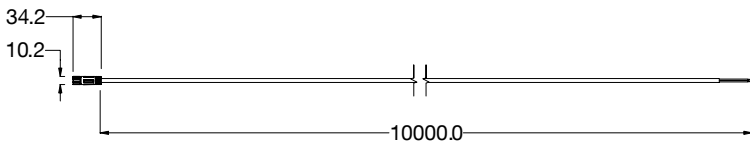
**ALP3-DW50**



## Specification Drawings



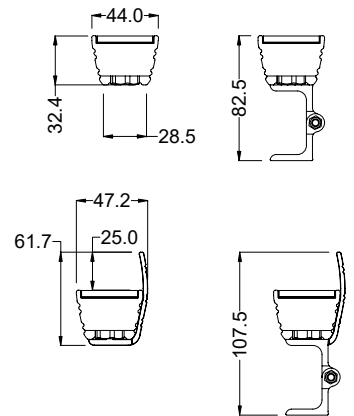
### Extension Lead



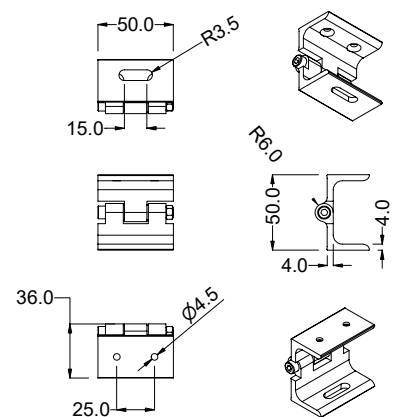
Alphaeus 3 fittings are provided with a 300mm cable with Male plug connector. Extension cables with Female socket connector must be purchased separately.

Order Code	Description	Compatible Products
CA084	4 Core M8 female 2 core assembly, PUR, 10000mm	ALP3-DW50

### Fitting End Views



### Adjustable Bracket



Complies with EN60598-1 and pertinent regulations



Please contact our sales team on +44(0)113 263 9039 for further assistance

Specifications are subject to change without prior notice. Please refer to our website for most up to date version

**ALP3-DW50**

Rev 5 - 12/19

