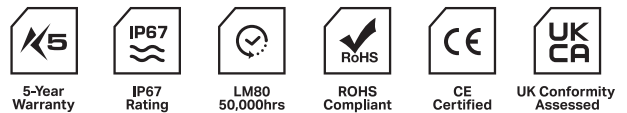




Alphaeus 3 DW50

Dynamic White Linear LED - 50mm Pitch



Various sectors, from healthcare to corporate, have begun to explore the potential benefits of lighting that follow the natural sleep/wake cycles of the human body. Known as circadian lighting, these strategically designed systems may have the power to positively affect people's health, alertness, productivity, and more.

Applications

- Commercial
- Offices
- Healthcare
- Wellness & Relaxation

Features

- 2200K – 2700K – 3000K – 4000K – 5700K
- 80 or 90 CRI
- DALI – 0-10V – Casambi Bluetooth - DMX control
- 2200 or 1650 Lumens per metre
- 42W - 21W per channel or 30W - 15W per channel
- 10° - 25° - 32° - 45° - 50° x 11°
- 128mm > 1228mm (100mm increments)
- Cowl & louvre option
- Black, Silver anodised or custom finish
- Adjustable or custom brackets
- Constant current drivers
- Luxeon ZES LED
- IP67

Benefits

- Various tuneable CCT options
- Colour rendering options
- Fully dimmable
- Medium & economy options
- Power options (based on 4000K 1228mm)
- Various beam angles
- 12 lengths available
- Anti-glare options
- Various finish options
- Mounting options
- Drivers mounted up to 50mtrs
- Latest high performance LEDs
- Environmentally friendly
- External use

Outputs

	Economy	Medium
Lumen Output (lm) - (4000K 80CRI - 1228mm)	1650	2200
Power - 4000K - 1228mm (W)	30 (15W/Ch)	42 (21W/Ch)
Drive Current (mA)	500mA	700mA

Technical Information

Colours	Dynamic White 2200K • 2700K • 3000K • 4000K • 5700K
CRI	>80 • >90
LED Chip	Luxeon ZES
LED's Per Fitting (1228mm)	24 (12 each colour)
Control	0-10V • DALI • DMX • Bluetooth
Beam Angles	10° • 25° • 32° • 45° • 50°x11°
Lifetime @ LM80	50,000hrs @ 25°C
Operating Temp	-25°C to 55°C
IP Rating	IP67
Lens	Toughened Screen Printed Clear Glass
Finish	Anodised Aluminium Black Anodised Aluminium Custom Anodised
Mounting	Adjustable Brackets
Weight (kg/m)	2.30kg

Product Code

ALP3-DW50-1-2-3-4-5-6-7-8

Create your product code by choosing your specification from the product areas below. Final example codes are shown to the right.

1 Drive Current

700mA **70** 500mA **50**

2 Colour 1*

>80 CRI - 2200K **822**
 >80 CRI - 2700K **827**
 >80 CRI - 3000K **830**
 >80 CRI - 4000K **840**
 >90 CRI - 2700K **927**
 >90 CRI - 3000K **930**
 >90 CRI - 4000K **940**
 >90 CRI - 5700K **957**

3 Colour 2*

>80 CRI - 2200K **822**
 >80 CRI - 2700K **827**
 >80 CRI - 3000K **830**
 >80 CRI - 4000K **840**
 >90 CRI - 2700K **927**
 >90 CRI - 3000K **930**
 >90 CRI - 4000K **940**
 >90 CRI - 5700K **957**

* 2200K not available in >90 CRI, 5700K not available in >80 CRI
 ** Special anodised aluminium colour finishes available on request

ALP3-DW50-70-830-827-45-AA-A-X-1228

ALP3-DW50-50-957-940-10-BB-C-X-1028

Example Codes

4 Optics

10° **10** 45° **45**
 25° **25** 50°x11° **5011**
 32° **32**

5 Finish**

Anodised Aluminium **AA**
 Anodised Black **AB**
 Anodised Custom **AC**

6 Bracket

Adjustable **A**
 Custom **C**

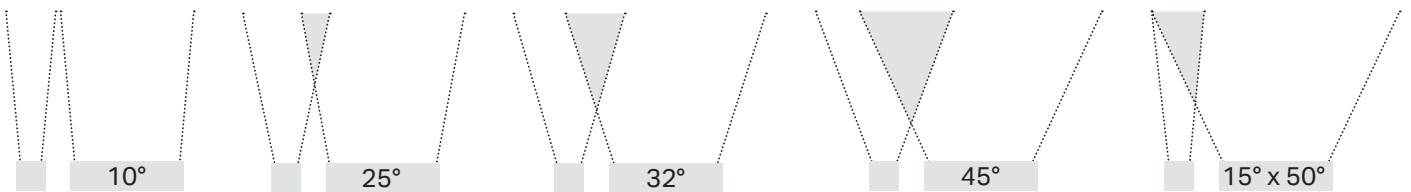
7 Anti-Glare

None **X**
 Cowl **C**
 Louvre **L**

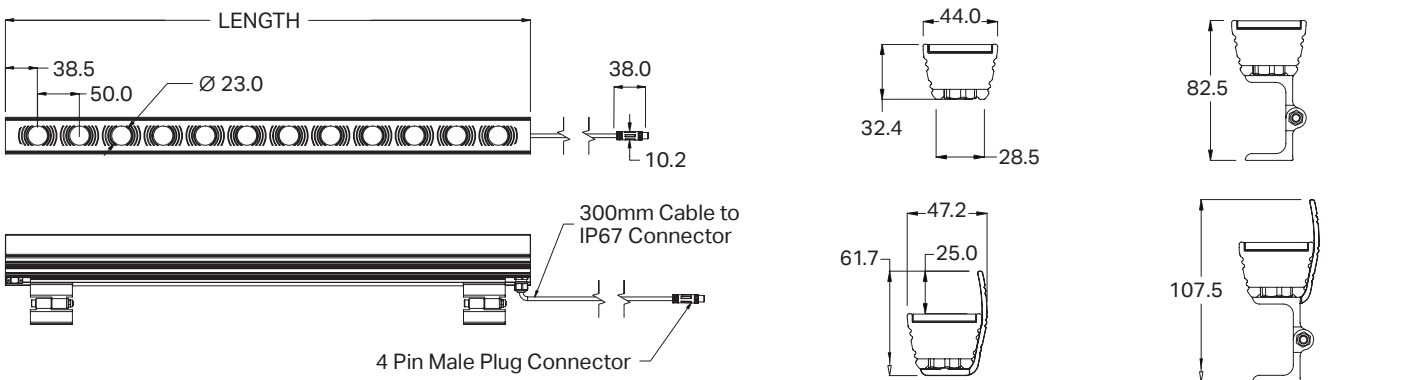
8 Length

1228mm 1228	828mm 0828	428mm 0428
1128mm 1128	728mm 0728	328mm 0328
1028mm 1028	628mm 0628	228mm 0228
928mm 0928	528mm 0528	128mm 0128

Beam angles



Specification Drawings



Alphaeus 3 fittings are provided with a 300mm cable with male plug connector. Extension cables with female socket connector must be purchased separately with the below product codes.

4 Core M8 female assembly, PUR, 10000mm **CA084**

ALP-3-DW-0122

Complies with EN60598-1 and pertinent regulations

Specifications are subject to change without prior notice. Please refer to our website for most up to date version.



Contact our sales team for further assistance

0113 263 9039

sales@kempslighting.com

kempslighting.com

