



## Applications

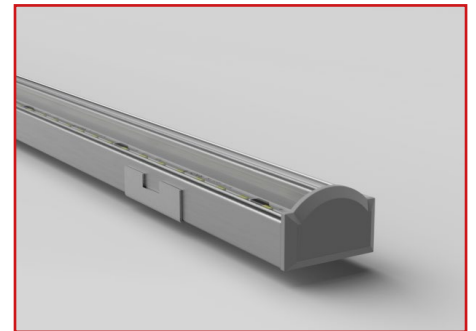
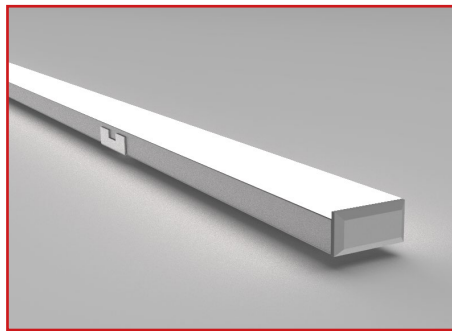
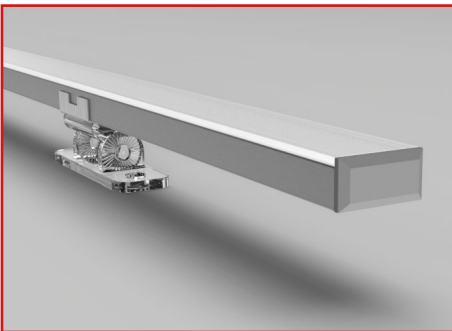
- Coves
- Furniture
- Back-lighting
- Wet Locations
- Hospitality
- Retail
- Office
- Residential

## Features

- IP54
- 3 step MacAdam
- Small PCB cut increments of 50mm up to 2000mm
- A range of 2200K - 5700K
- 132 lumens per Watt
- CRI >80 - >90
- Luxeon LED
- 120° beam angle as standard - 30° Optic available
- 17W (24V)
- Sleek family of Aluminium profiles with Clear and Opal diffusers
- LM80 Lifetime 50,000 hrs
- Dimmable via DALI, DMX
- ECO friendly and Energy Saving
- Fixed or Adjustable Bracket

## Benefits

- Improved colour consistency across large and small projects
- Greater flexibility to produce a large range of lengths.
- High lumen output
- Excellent Colour Rendering
- Highest quality Luxeon LEDs
- 3 power options for varying in-direct or direct lighting applications
- Excellent lumen maintenance over lifetime
- Reduced potential failure during handling with ESD protection
- ROHS compliant



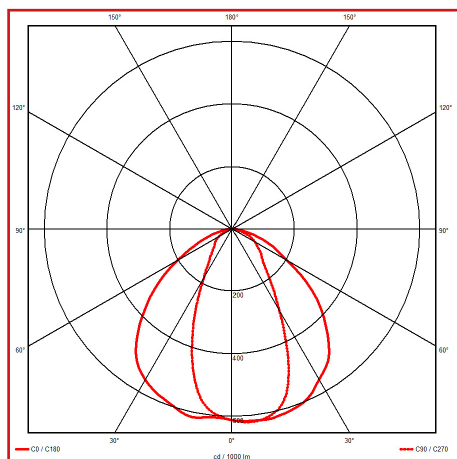
## KL-PRO-M-DW

## Technical Information

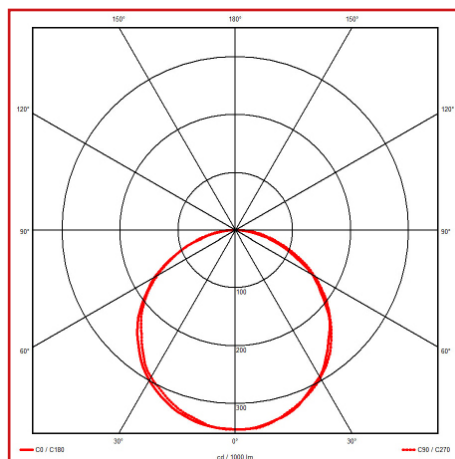
Product Specification	KL-PRO-M-DW
Lumen Output (lm/m) based on 4000K	2282
Power per Channel (W/m)	17
Efficacy lm/W (based on 4000K)	132lm/W
Input Voltage (V)	24V
Colour Range	2200K - 5700K
CRI	>80 - >90
LED Chip	Luxeon
Binning	3 Step MacAdam
Control	0-10V - DMX - DALI - Switched - Bluetooth
Beam Angles	Opal Diffused - 30° - 120°
Lifetime @ LM80	50,000hrs @ 25°C
Operating Temp	- 25°C to 55°C
IP Rating	IP54
Cover/Lens	Clear - Opal
Finish	Anodised Aluminium
Mounting	Fixed or Adjustable Brackets
Connection	300mm Cable to Connector
Lengths	74mm - 2024mm

## Photometrics

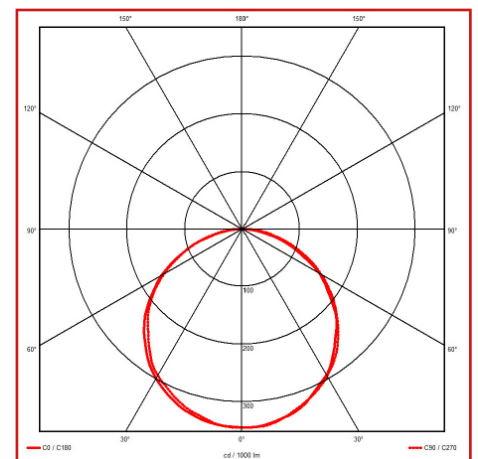
High Power - 4000K - 30° Optic



High Power - 4000K - Clear Diffuser



High Power - 4000K - Opal Diffuser

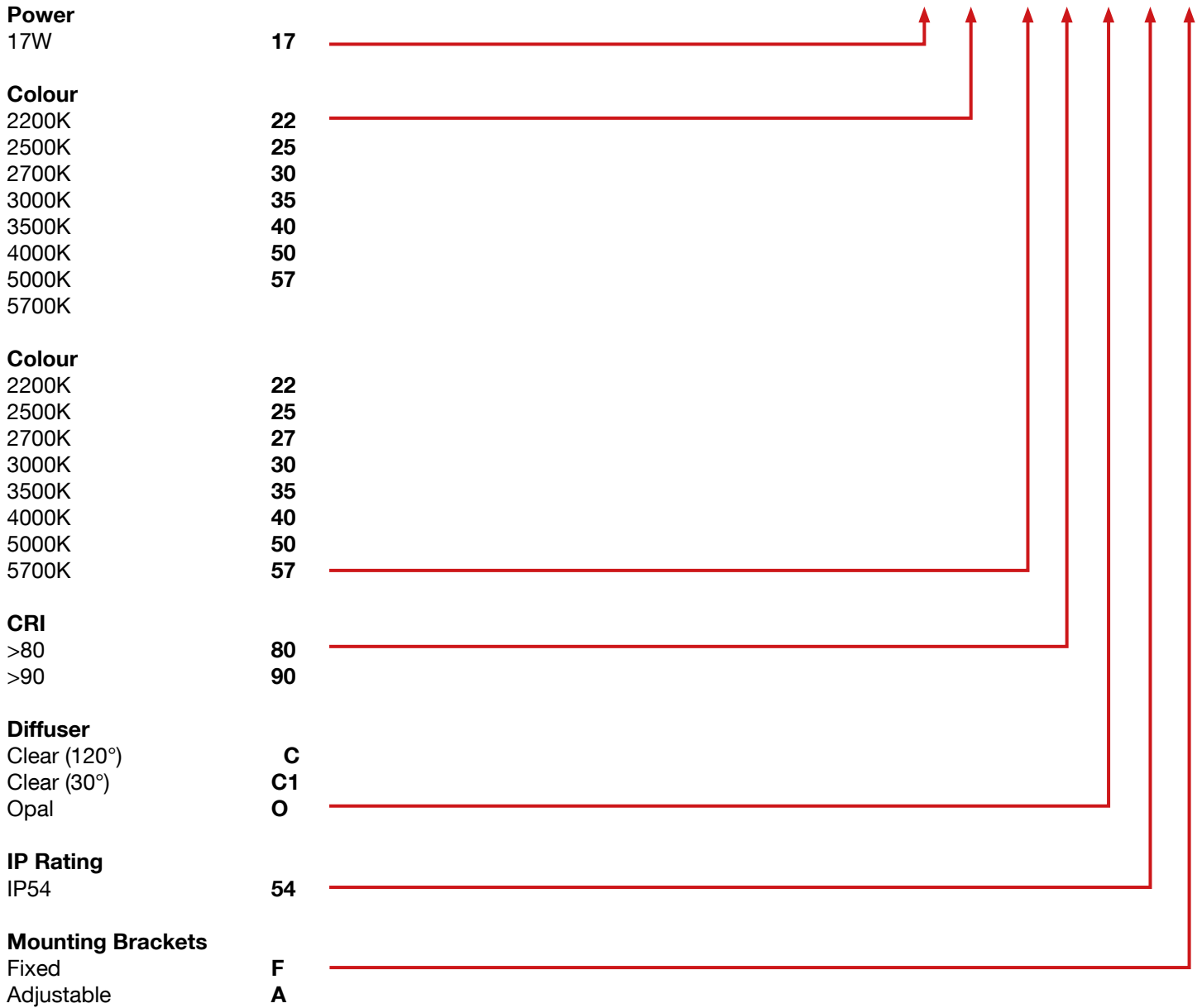


## KL-PRO-M-DW



**Product Selector**

**KL-PRO-M-DW-17-22-57-80-O-54-F**

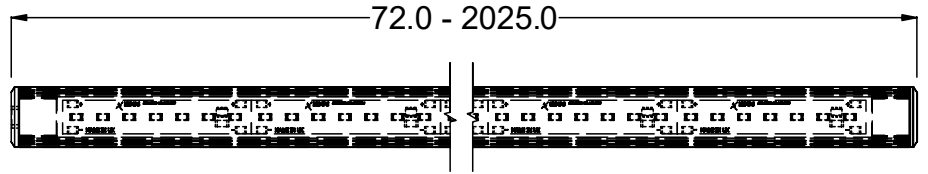


End cable entry as standard. Please contact our sales team to discuss your requirements.

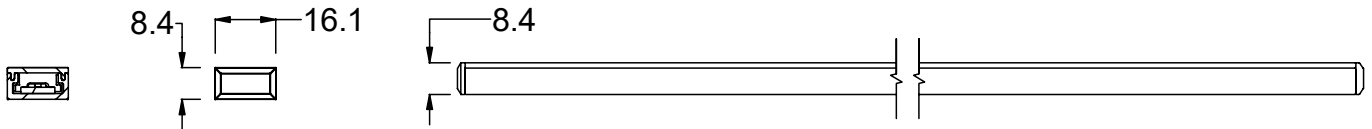
**KL-PRO-M-DW**



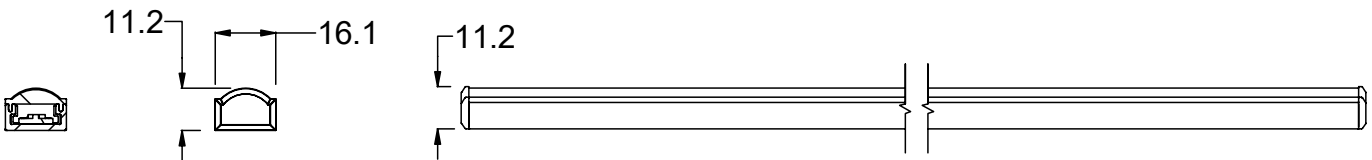
**Specification Drawings**



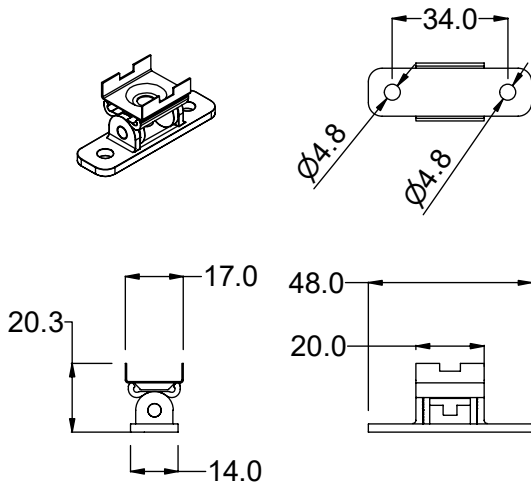
**Flat Diffuser**



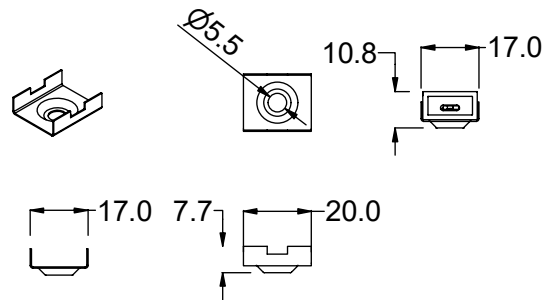
**30° Optic**



**Adjustable Bracket**



**Surface Mount Clip**



Please contact our sales team on **+44(0)113 263 9039** for further assistance

*Specifications are subject to change without prior notice. Please refer to our website for most up to date version*

**KL-PRO-M-DW**

Rev 1 - 01/20

