



## Applications

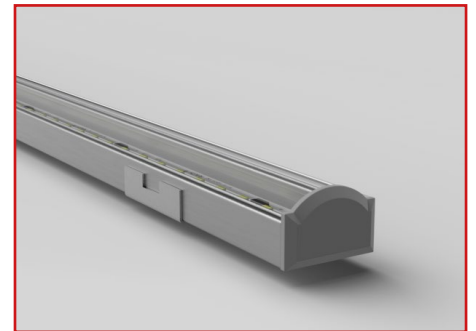
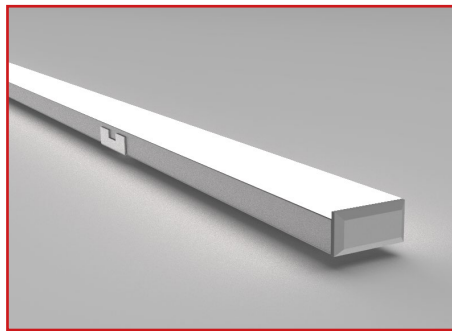
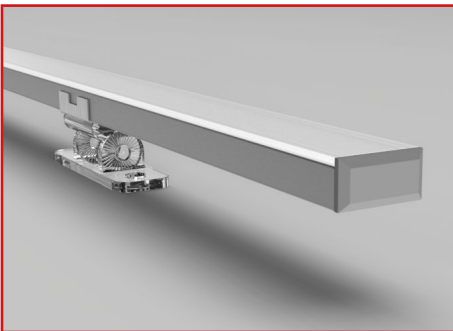
- Coves
- Furniture
- Back-lighting
- Hospitality
- Retail
- Office
- Residential

## Features

- IP54
- 3 step MacAdam
- Small PCB cut increments of 50mm up to 2000mm
- A range of 2200K - 5700K
- 132 lumens per Watt
- CRI >80 - >90
- Luxeon LED
- 120° beam angle as standard - 30° Optic available
- 22W or 17W (24V)
- Sleek family of Aluminium profiles with Clear and Opal diffusers
- LM80 Lifetime 50,000 hrs
- Dimmable via DALI, DMX
- ECO friendly and Energy Saving
- Fixed or Adjustable Bracket

## Benefits

- Improved colour consistency across large and small projects
- Greater flexibility to produce a large range of lengths.
- High lumen output
- Excellent Colour Rendering
- Highest quality Luxeon LEDs
- Excellent lumen maintenance over lifetime
- Reduced potential failure during handling with ESD protection
- ROHS compliant



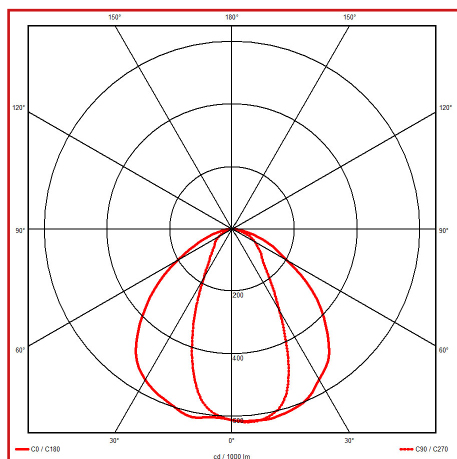
## KL-PRO-M-DW

## Technical Information

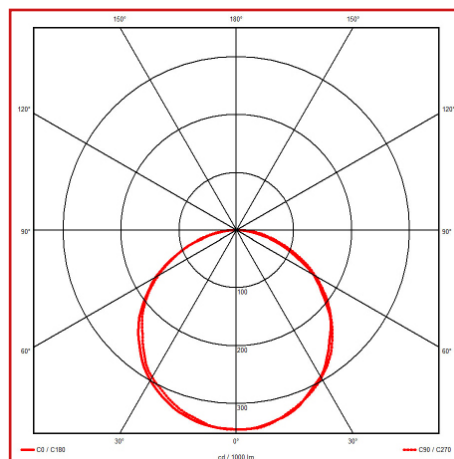
Product Specification	High Power	Medium Power
Lumen Output (lm/m) based on 4000K	2880	2282
Power per Channel (W/m)	22W	17W
Efficacy lm/W (based on 4000K)	130lm/W	132lm/W
Input Voltage (V)	24V	
Colour Range	2200K - 5700K	
CRI	>80 - >90	
LED Chip	Luxeon	
Binning	3 Step MacAdam	
Control	0-10V - DMX - DALI - Switched - Bluetooth	
Beam Angles	Opal Diffused - 30° - 120°	
Lifetime @ LM80	50,000hrs @ 25°C	
Operating Temp	- 25°C to 55°C	
IP Rating	IP54	
Cover/Lens	Clear - Opal	
Finish	Anodised Aluminium	
Mounting	Fixed or Adjustable Brackets	
Connection	300mm Cable to Connector	
Lengths	74mm - 2024mm	

## Photometrics

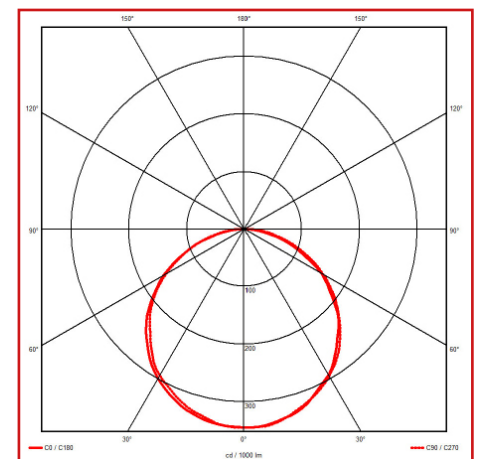
High Power - 4000K - 30° Optic



High Power - 4000K - Clear Diffuser



High Power - 4000K - Opal Diffuser



## KL-PRO-M-DW



**Product Selector**

**PRO-M-DW-17-22-57-80-O-54-F**

**Power**

22W                  22  
17W                  17

**Colour**

2200K                22  
2500K                25  
2700K                27  
3000K                30  
3500K                35  
4000K                40  
5000K                50  
5700K                57

**Colour**

2200K                22  
2500K                25  
2700K                27  
3000K                30  
3500K                35  
4000K                40  
5000K                50  
5700K                57

**CRI**

>80                  80  
>90                  90

**Diffuser**

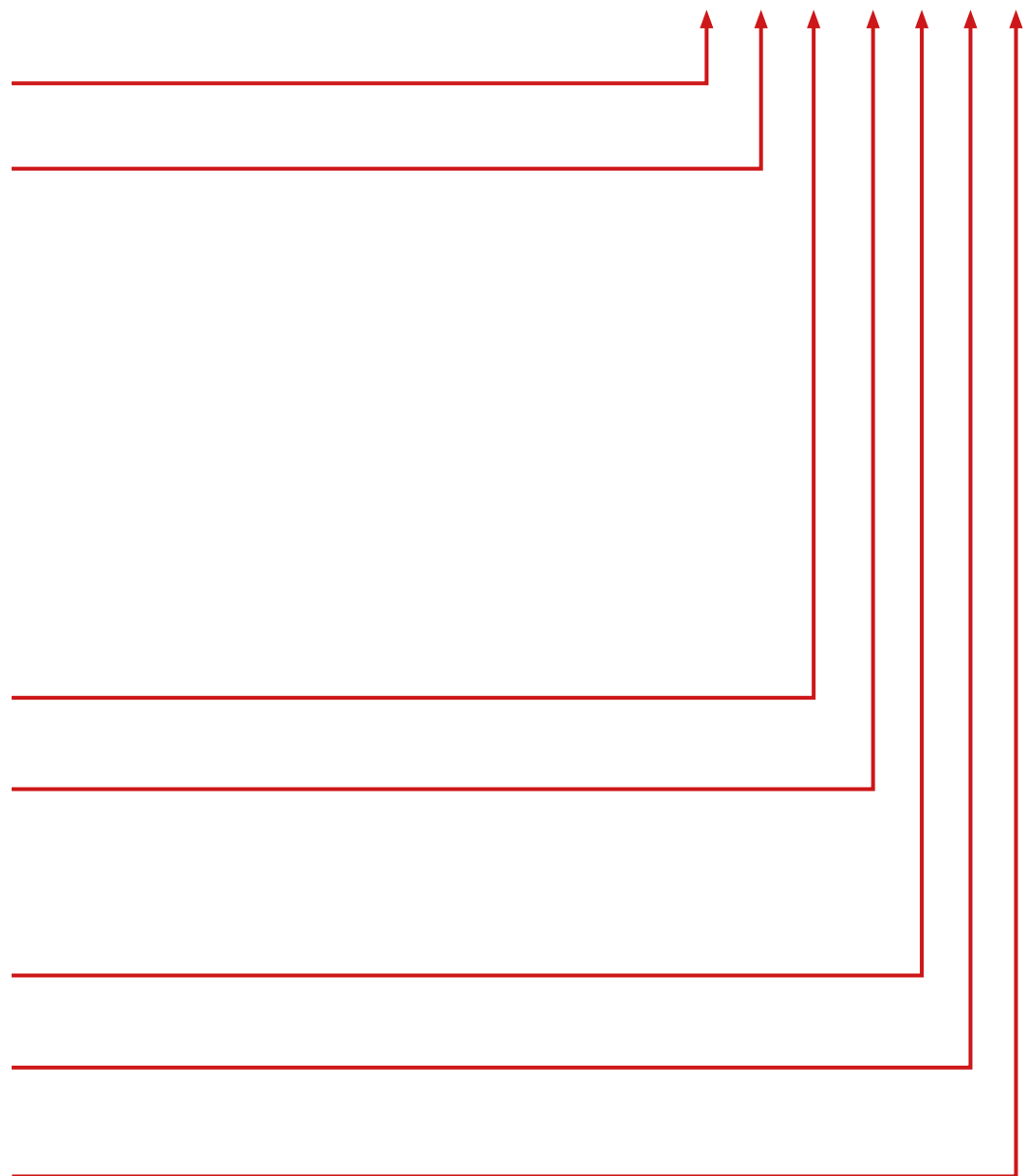
Clear (120°)        C  
Clear (30°)         C1  
Opal                  O

**IP Rating**

IP54                  54

**Mounting Brackets**

Fixed                 F  
Adjustable            A

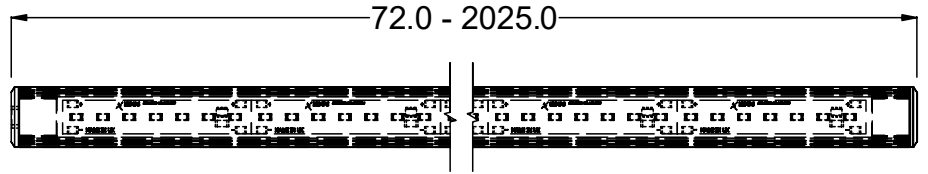


End cable entry as standard. Please contact our sales team to discuss your requirements.

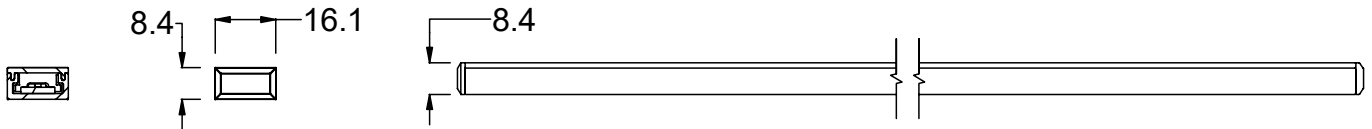
**KL-PRO-M-DW**



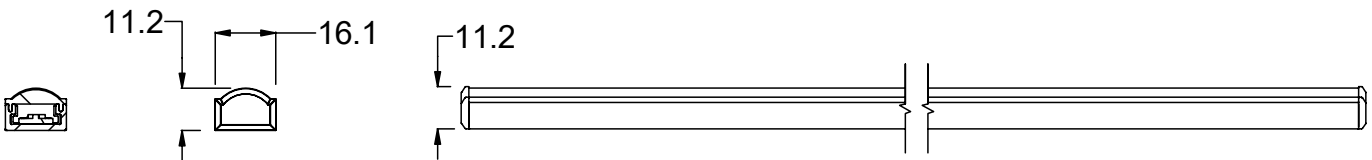
**Specification Drawings**



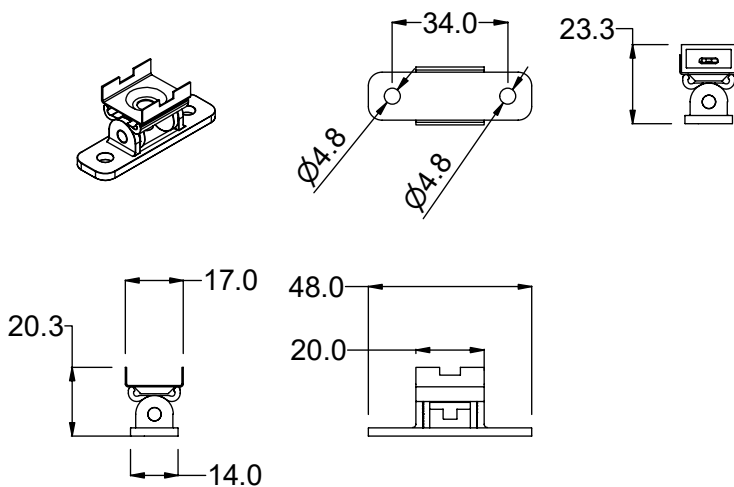
**Flat Diffuser**



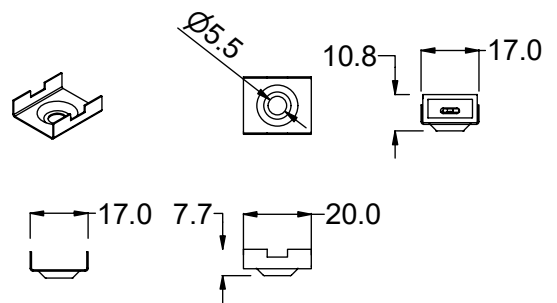
**30° Optic**



**Adjustable Bracket**



**Surface Mount Clip**



**Installation Warning**

The maximum combined output when using both colour channels should not exceed 17W or 22W. This can cause catastrophic failure and void warranty.

**Complies with EN60598-1 and pertinent regulations**



Please contact our sales team on **+44(0)113 263 9039** for further assistance

*Specifications are subject to change without prior notice. Please refer to our website for most up to date version*

