



## Applications

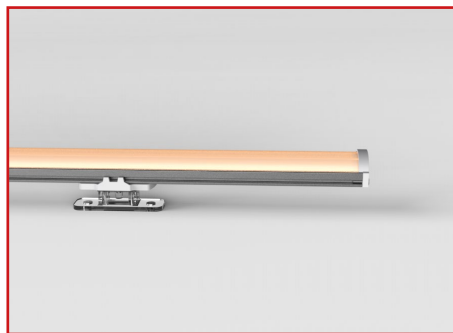
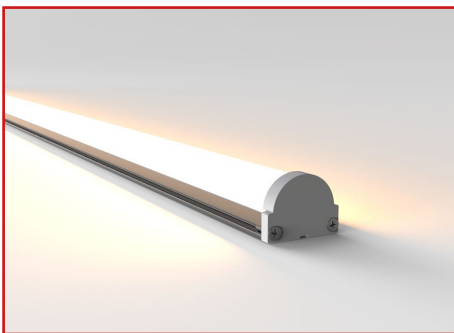
- Commercial lighting
- Cove lighting
- Decorative
- Interior
- Cabinet lighting
- Task lighting
- Table consumer lighting
- Bespoke Integration

## Features

- Colours - 2400K - 2700K - 3000K - 4000K
- Glare free non-pixelated lighting
- IP54 or IP65
- Dimmable
- LM80 - 50,000hrs
- Adjustable or fixed brackets
- Colour consistent with no relative colour shift over life
- 3238 lumens per 1200mm fitting
- 5 year warranty

## Benefits

- Shallow depth for tight areas
- Available lengths ranging from 81mm - 1187mm (75mm increments)
- Stable, uniform, shadow-free consistent lighting
- No binning issues
- Lumenmax LED technology
- ROHS compliant
- UK designed & manufactured



**AZUNA**

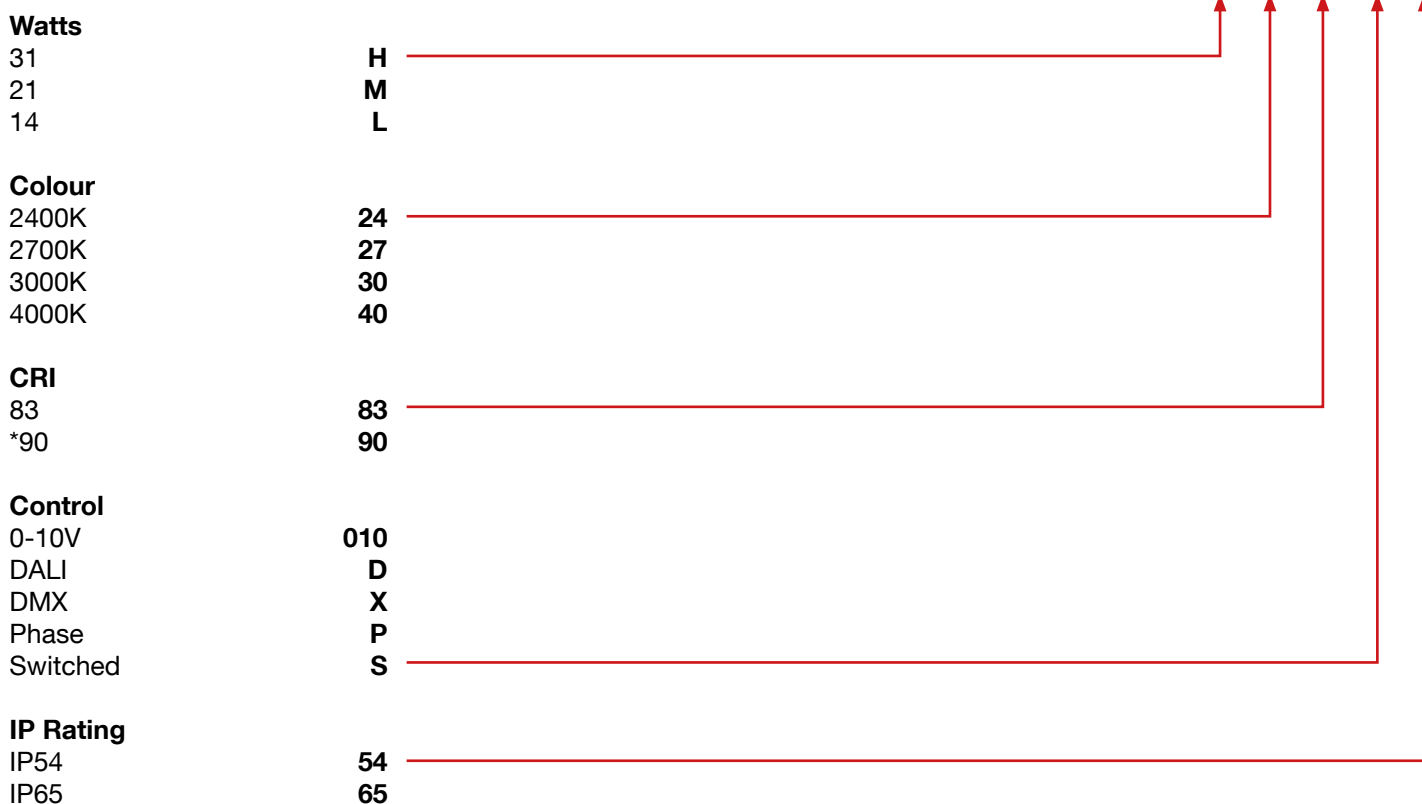


## Technical Information

Product Specification	Azuna-H	Azuna-M	Azuna-L
LED Type	Lumenmax XTR-5630		
CRI	>83 - >90		
Lumen Output	3238	2321	1619
Power (W/m)	31	21	14
Efficacy (lm/W)	105	110	115
Drive Current	600mA	500mA	350mA
CCT	2400K - 2700K - 3000K - 4000K		
Dimming	0-10V - DALI - DMX - Phase - Switched		
Beam Angle	260°		
Colour Consistency	3SCDM		
IP Rating	IP54 - IP67		
Ambient Operating Temp	-20°C to 50°C		
Lifetime (LM80)	50,000hrs		
Available Lengths	81mm > 1187mm (75mm increments)		

## Product Selector

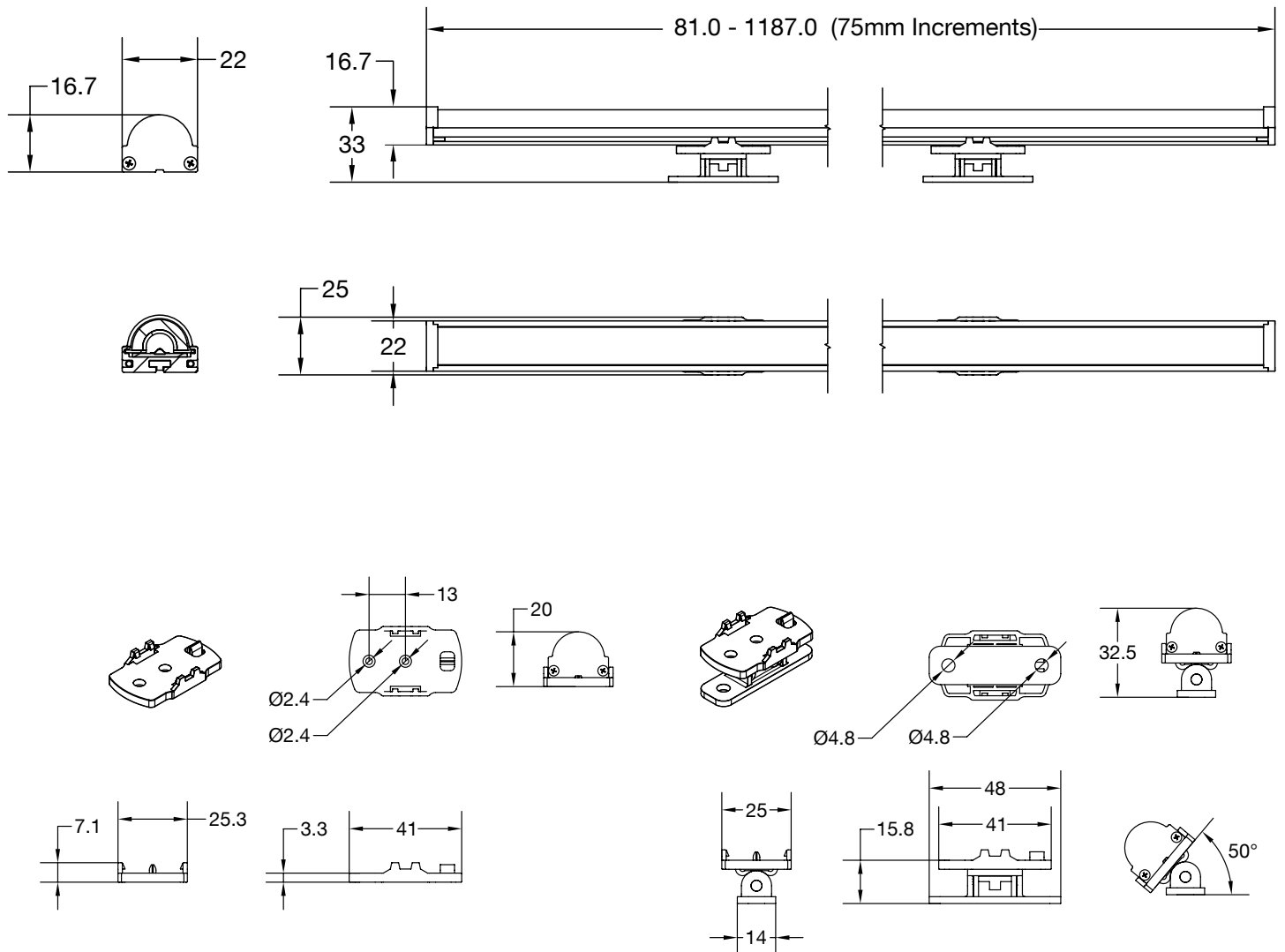
**KL-AZ-H-24-83-S-54**



**AZUNA**

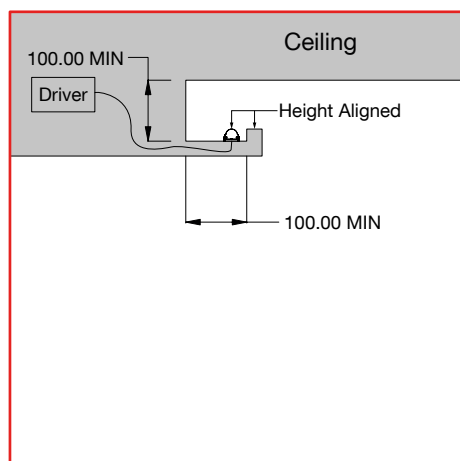


## Specification Drawings

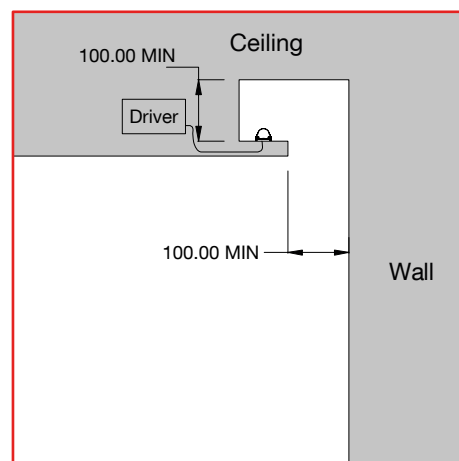


## Typical Applications

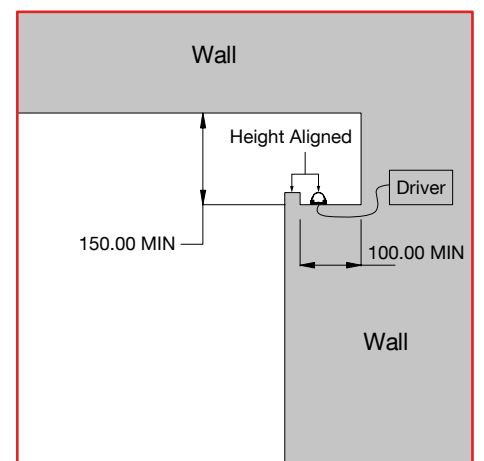
**Cove Detail**



**Ceiling Slot**

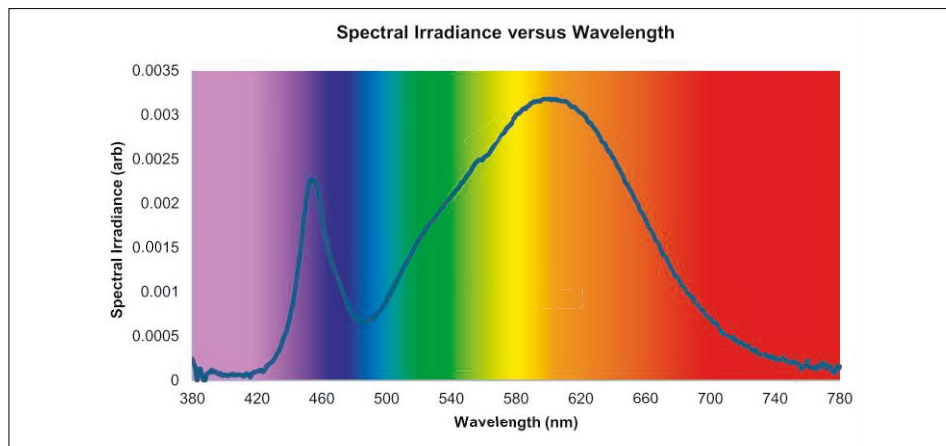
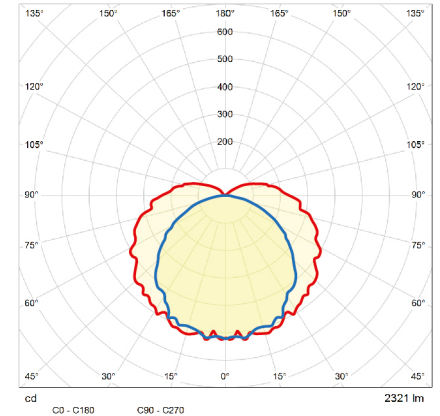


**Vertical Wall Slot (Plan View)**



## Photometrics

Goniophotometric Measurements		
Beam Angle	Horizontal	260°
	Vertical	114°
On-axis Intensity		728 cd
Peak Intensity		751 cd
Peak Direction	Horizontal	45°
	Vertical	5°



Mounting Height (m)	Beam Cone Width (m)	Orthogonal Beam Cone Width (m)	Projected Illuminance (lux)
0.5	1.55	16.90	2913.8
1	3.09	33.80	728.5
2	6.18	67.60	182.1
3	9.27	101.40	80.9
4	12.36	135.19	45.5
5	15.45	168.99	29.1
6	18.54	202.79	20.2
8	24.72	270.39	11.4
10	30.90	337.99	7.3
20	61.80	675.97	1.8

Photometric Measurements	
Luminous Flux	3238 lm
Luminous Efficacy	100 lm/w

Colorimetric Details	
CCT	3182k
CRI (Ra)	83

Initial Photometric measurements are taken from 1200mm lengths of Azan

Complies with EN60598-1 and pertinent regulations



Please contact our sales team on **+44(0)113 263 9039** for further assistance

Specifications are subject to change without prior notice. Please refer to our website for most up to date version



Rev 4 - 05/19

