



Overview

Fortis is a sleek and robust IP67 linear LED fixture with a homogenous appearance which can provide stunning colour change effects. Fortis is made from extremely durable anodised Aluminium which makes this luminaire suitable for the harshest of enviroment and is available in lengths of up to 1878mm.

Applications

- Facades
- Under Bench
- Planters
- Exterior

Features

- IP67
- Available in RGB & RGBW
- 3 step MacAdam
- CRI>80
- 160° Beam Angle
- LM80 lifetime
- 24V Constant Voltage
- Dimmable
- Robust Aluminium body for superior strength
- Adjustable or fixed brackets - various options

Benefits

- Suitable for exterior use in the harshest of enviroments
- Create stunning colour changing effects using DMX or DALI control
- Excellent colour rendering
- Highest quality Luxeon 3535 LED technology
- Excellent lumen maintenance over time
- Excellent thermal management
- Various fixing positions
- Remote or local drivers - IP67 available
- ROHS compliant

FORTIS-RGB & RGBW

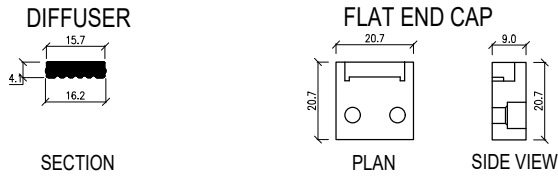
Technical Information

| Product Specification | Fortis |
|-----------------------|------------------------------|
| Power (W/m) | 19.2W |
| Input Voltage | 24V |
| Colours | RGB & RGBW |
| CRI | >80 |
| LED Chip | Luxeon 3535 |
| Binning | 3 Step MacAdam |
| Beam Angle | 160° |
| Lifetime @ LM80 | 50,000hrs @ 25°C |
| Operating Temp | -25°C to 55°C |
| IP Rating | IP67 |
| Cover/Lens | Opal Polycarbonate |
| Finish | Silver Anodised Aluminium |
| Mounting | Fixed or Adjustable Brackets |
| Exterior Connection | IP68 |
| Lengths | Various - Max 1878mm |

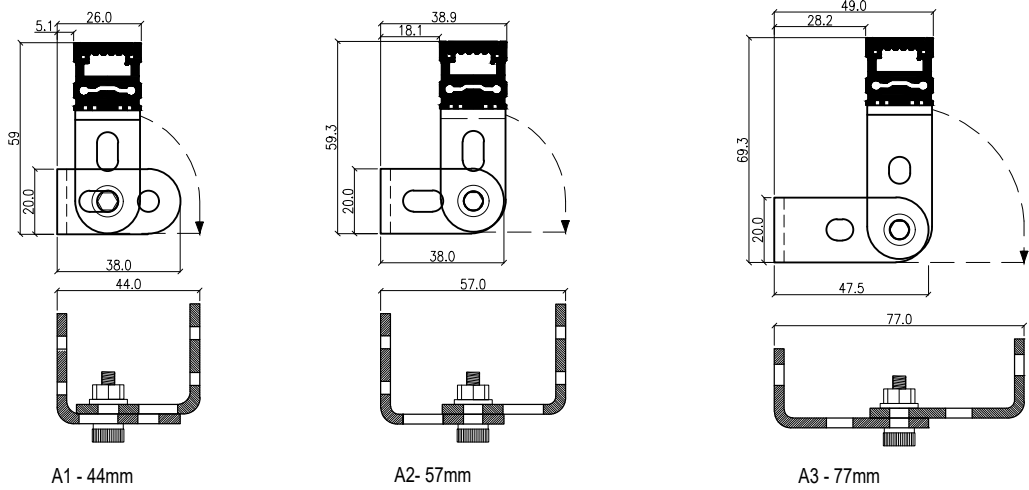


FORTIS-RGB & RGBW

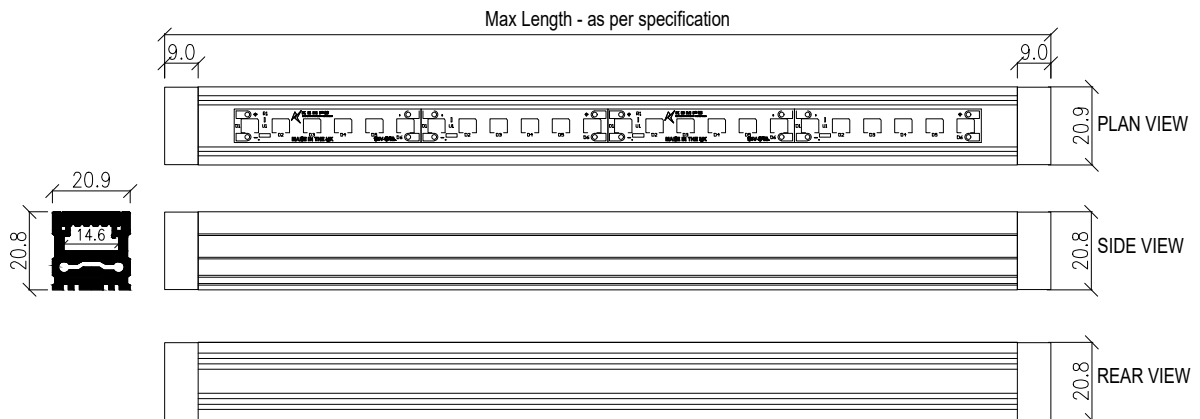
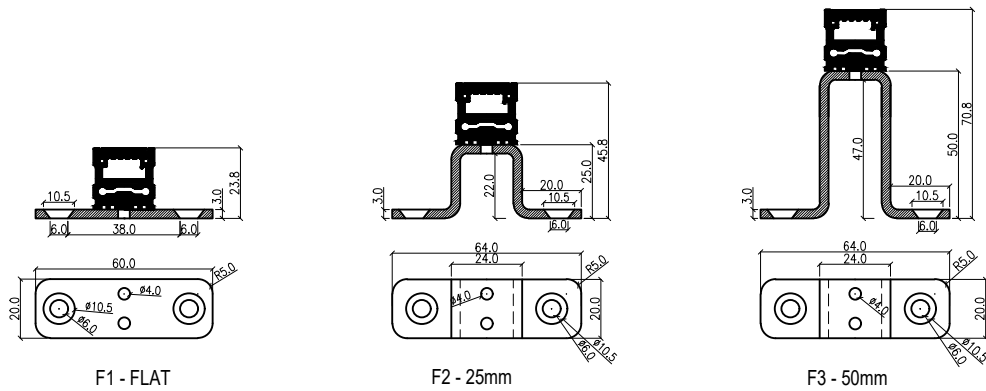
Specification Drawings



ADJUSTABLE



FIXED



FORTIS-RGB & RGBW



Product Selector

KL-FORTIS-RGBW-19.2-F1

Colour

*RGBW
RGB

RGBW
RGB

Brackets

Fixed Flat 60mm
Fixed 25mm
Fixed 45mm
Adjustable 44mm
Adjustable 57mm
Adjustable 77mm

F1
F2
F3
A1
A2
A3

* RGBW = 3000K used as a default on the White LED

** Tolerances in CCT with IP67 products can occur due to manufacturing process.

Available Lengths mm

RGB & RGBW

| Feed in | Feed in / out |
|---------|---------------|
| 195 | 205 |
| 362 | 372 |
| 529 | 539 |
| 697 | 707 |
| 864 | 874 |
| 1031 | 1041 |
| 1199 | 1209 |
| 1366 | 1376 |
| 1533 | 1543 |
| 1701 | 1711 |
| 1868 | 1878 |

Extension Lead

Fortis RGB/W fittings are provided with a 300mm cable with Male plug connector.
Extension cables with Female socket connector must be purchased separately.

| Order Code | Description | Compatible Products |
|------------|-----------------------------------|---------------------|
| CA084 | 4-Core, Female Connector, 10000mm | RGB |
| CA043 | 5-Core, Female Connector, 10000mm | RGBW |

Complies with EN60598-1 and pertinent regulations



Please contact our sales team on **+44(0)113 263 9039** for further assistance

Specifications are subject to change without prior notice. Please refer to our website for most up to date version

FORTIS-RGB & RGBW

Rev 8- 09/20

