

Figaro 60 A S

Surface Mount



Features

- LED recessed luminaire, direct light distribution.
- Classic design, lightweight 67mm wide aluminium body with polycarbonate opal or microprismatic diffuser options.
- Choice of silver, black and white body colours as standard with many custom RAL colours available.
- Latest Cree LED technology with CRI-80 or CRI-90, 3000K or 4000K as standard.
- CCT 2200K, 2700K, 3500K, 5000K available on request (subject to quantity)
- Internal reflector constructed from the latest MCPET 99.6% reflective material, resulting in dot and shadow free homogenous light appearance.
- Standard and custom continuous lines of light. Squares and rectangles also available.
- Integrated emergency and sensor technology available.

Applications

- Retail
- Hospitality
- Residential
- Commercial
- Public Realm

Product Options

Control	Switched • DALI 2 • (0)1-10V • Bluetooth (Casambi)
CCT	2200K* • 2700K* • 3000K** 3500K* • 4000K** • 5000K*
CRI	>90CRI • >80CRI
Body Colour	Black • White • Silver Custom RAL on request.
Diffuser Type	Opal • Microprismatic (MCP) (Low UGR)
Emergency*	Available on Lengths above 1464

*On Request ** Standard

Technical Information

Length	Opal									Prismatic								
	Economy			Medium			High			Economy			Medium			High		
	W	lm	lm/W	W	lm	lm/W	W	lm	lm/W	W	lm	lm/W	W	lm	lm/W	W	lm	lm/W
884mm	15	1581	108	20	2238	110	30	3147	103	15	1567	107	20	2218	110	30	3118	102
1174mm	19	2099	108	27	2972	110	40	4179	103	19	2081	107	27	2945	110	40	4141	102
1464mm	24	2618	108	34	3706	110	50	5211	103	24	2595	107	34	3673	110	50	5164	102
1755mm	29	3138	108	40	4443	110	60	6247	103	29	3111	107	40	4403	110	60	6190	102
2045mm	34	3657	108	47	5177	110	70	7279	103	34	3625	107	47	5131	110	70	7213	102
2335mm	39	4176	108	54	5911	110	80	8311	103	39	4139	107	53	5858	110	80	8236	102
2625mm	44	4694	108	60	6645	110	90	9343	103	44	4653	107	60	6586	110	90	9259	102
2915mm	48	5213	108	67	7379	110	100	10376	103	48	5167	107	67	7313	110	100	10282	102

Product Code

FIG60-A-S-1-2-3-4-5-6

Example Codes

Create your product code by choosing your specification from the product areas.

Final example codes are shown to the right.

FIG60-A-S-H-840-0-P-9006-02045
FIG60-A-S-M-930-B-O-9003-01464

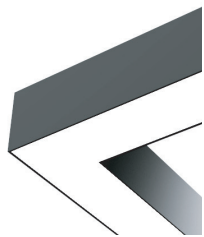
1 Drive Current		2 CCT		3 Control		4 Diffuser	
High (1050mA)	H	80 CRI - 3000K	830	Switched	S	Matt Opal	O
Medium (700mA)	M	80 CRI - 4000K	840	DALI	D	Micro-Prismatic	P
Economy (500mA)	E	90 CRI - 3000K	930	0-10V	O		
		90 CRI - 4000K	940	Bluetooth	B		

5 Finish		6 Length		Extras - On Request***		
Jet Black	9005	884mm	00884	2045mm	02045	Emergency Module
Signal White	9003	1174mm	01174	2335mm	02335	90° Corners
White Aluminium	9006	1464mm	01464	2625mm	02625	Sensors
Custom RAL**	RAL#	1755mm	01755	2915mm	02915	

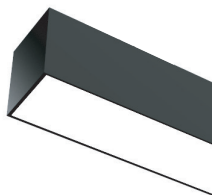
*Custom lengths, infills, continuous lines and corners available. ** Custom RAL colours subject to availability and order size
***Please enquire with your requirements.

Options

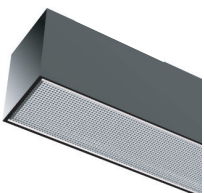
Technical Drawings



1
90° Corner



2
Opal Diffuser



3
Micro-Prismatic
Diffuser

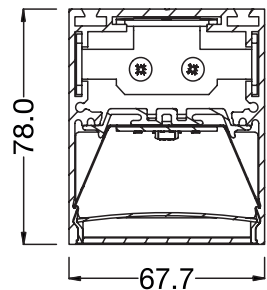
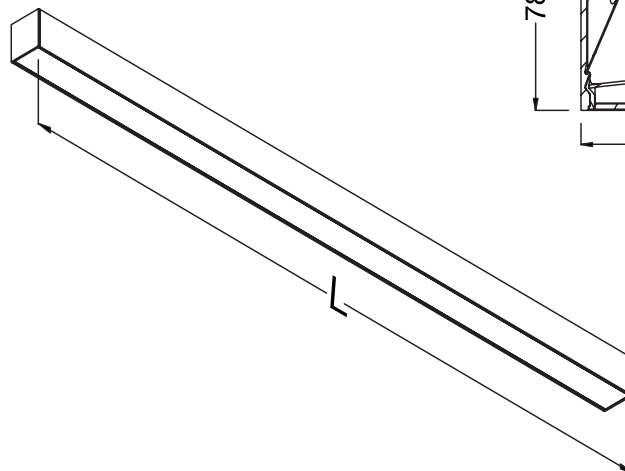


FIG60-A-S-0222

Complies with EN60598-1 and pertinent regulations

Specifications are subject to change without prior notice. Please refer to our website for most up to date version.



Contact our sales team for further assistance

0113 263 9039

sales@kempsonlighting.com

kempsonarchitecturallighting.com

