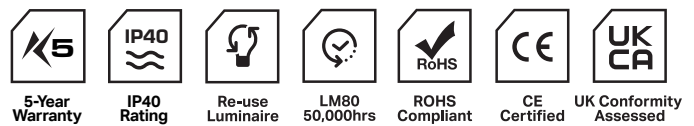




# Figaro 60 A P

## Pendant Suspended



### Features

- LED suspended luminaire, direct light distribution.
- Classic design, lightweight 67mm wide aluminium body with polycarbonate opal or microprismatic diffuser options.
- Choice of silver, black and white body colours as standard with many custom RAL colours available.
- Latest Cree LED technology with CRI90 3000K or 4000K as standard.
- CCT 2200K, 2700K, 3500K, 5000K available on request (subject to quantity)
- Internal reflector constructed from the latest MCPET 99.6% reflective material, resulting in dot and shadow free homogenous light appearance.
- Standard and custom continuous lines of light. Squares and rectangles also available.
- Integrated emergency and sensor technology available.

### Applications

- Retail
- Hospitality
- Residential
- Commercial
- Public Realm

### Product Options

<b>Control</b>	Switched • DALI 2 • (0)1-10V • Bluetooth (Casambi)
<b>CCT</b>	2200K* • 2700K* • 3000K** 3500K* • 4000K** • 5000K*
<b>CRI</b>	>90CRI • >80CRI
<b>Body Colour</b>	Black • White • Silver Custom RAL on request.
<b>Diffuser Type</b>	Opal • Microprismatic (MCP) (Low UGR)
<b>Emergency*</b>	Available on Lengths above 1464

\*On Request \*\* Standard

### Technical Information

Length	Opal									Prismatic								
	Economy			Medium			High			Economy			Medium			High		
	W	lm	lm/W	W	lm	lm/W	W	lm	lm/W	W	lm	lm/W	W	lm	lm/W	W	lm	lm/W
<b>884mm</b>	15	1581	108	20	2238	110	30	3147	103	15	1567	107	20	2218	110	30	3118	102
<b>1174mm</b>	19	2099	108	27	2972	110	40	4179	103	19	2081	107	27	2945	110	40	4141	102
<b>1464mm</b>	24	2618	108	34	3706	110	50	5211	103	24	2595	107	34	3673	110	50	5164	102
<b>1755mm</b>	29	3138	108	40	4443	110	60	6247	103	29	3111	107	40	4403	110	60	6190	102
<b>2045mm</b>	34	3657	108	47	5177	110	70	7279	103	34	3625	107	47	5131	110	70	7213	102
<b>2335mm</b>	39	4176	108	54	5911	110	80	8311	103	39	4139	107	53	5858	110	80	8236	102
<b>2625mm</b>	44	4694	108	60	6645	110	90	9343	103	44	4653	107	60	6586	110	90	9259	102
<b>2915mm</b>	48	5213	108	67	7379	110	100	10376	103	48	5167	107	67	7313	110	100	10282	102

## Product Code

**FIG60-A-P-1-2-3-4-5-6**

Example Codes

Create your product code by choosing your specification from the product areas.

Final example codes are shown to the right.

**FIG60-A-P-H-840-0-P-9006-02045**  
**FIG60-A-P-M-930-B-O-9003-01464**

1 Drive Current		2 CCT		3 Control		4 Diffuser	
High (1050mA)	<b>H</b>	80 CRI - 3000K	<b>830</b>	Switched	<b>S</b>	Matt Opal	<b>O</b>
Medium (700mA)	<b>M</b>	80 CRI - 4000K	<b>840</b>	DALI	<b>D</b>	Micro-Prismatic	<b>P</b>
Economy (500mA)	<b>E</b>	90 CRI - 3000K	<b>930</b>	0-10V	<b>0</b>		
		90 CRI - 4000K	<b>940</b>	Bluetooth	<b>B</b>		

5 Finish		6 Length		Extras - On Request***			
Jet Black	<b>9005</b>	884mm	<b>00884</b>	2045mm	<b>02045</b>	Emergency Module	
Signal White	<b>9003</b>	1174mm	<b>01174</b>	2335mm	<b>02335</b>	90° Corners	
White Aluminium	<b>9006</b>	1464mm	<b>01464</b>	2625mm	<b>02625</b>	Sensors	
Custom RAL**	<b>RAL#</b>	1755mm	<b>01755</b>	2915mm	<b>02915</b>		

\*Custom lengths, infills, continuous lines and corners available. \*\* Custom RAL colours subject to availability and order size  
 \*\*\*Please enquire with your requirements.

## Options

## Technical Drawings

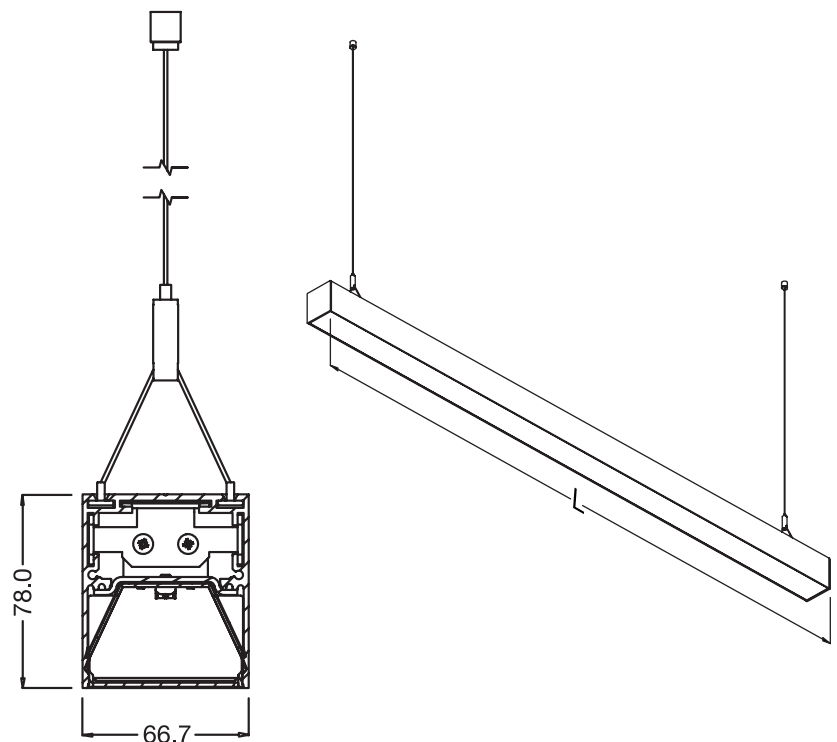
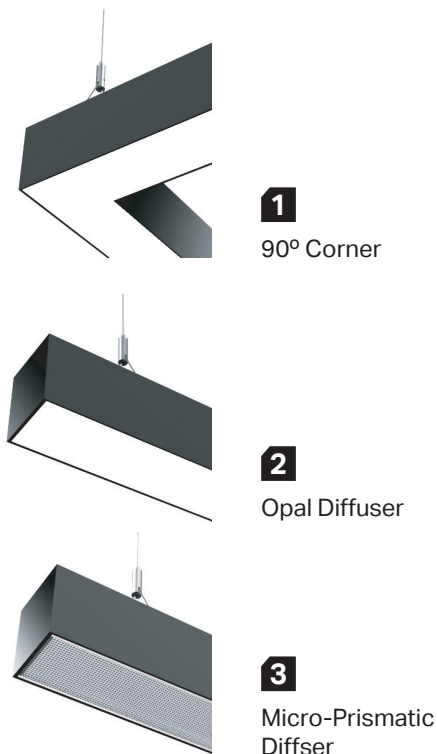


FIG60-A-P-0222

Complies with EN60598-1 and pertinent regulations

Specifications are subject to change without prior notice. Please refer to our website for most up to date version.



Contact our sales team for further assistance

0113 263 9039

sales@kempslighting.com

kempslighting.com

