

## Overview

---

- LED recessed luminaire, direct light distribution.
- Classic design, lightweight 67mm wide aluminium body with polycarbonate opal or <UGR19 microprismatic diffuser options.
- Choice of silver, black and white body colours as standard with many custom RAL colours available.
- Latest Cree LED technology with CRI-80 or CRI-90, 3000K or 4000K as standard.
- CCT 2200K, 2700K, 3500K, 5000K available on request (subject to quantity)
- Internal reflector constructed from the latest MCPET 99.6% reflective material, resulting in dot and shadow free homogenous light appearance.
- Standard and custom continuous lines of light. Squares and rectangles also available.
- Integrated emergency and sensor technology available.

## Applications

---

Retail – Hospitality – Residential – Commercial – Public Realm

**FIG60-A-R**

Rev 0 - 01/21

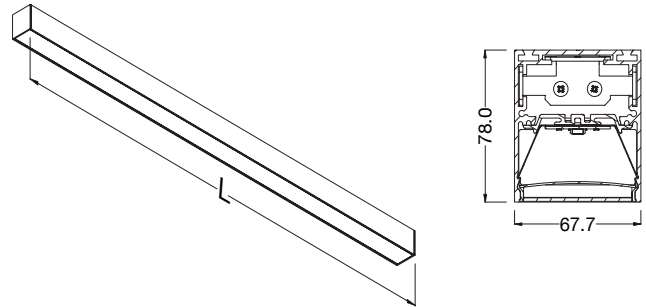
## Technical Information

Length (mm)	Economy					Medium					High				
	Watts (W)	Matt Opal		Micro-Prismatic		Watts (W)	Matt Opal		Micro-Prismatic		Watts (W)	Matt Opal		Micro-Prismatic	
		Lumens (lm)	Efficiency (lm/W)	Lumens (lm)	Efficiency (lm/W)		Lumens (lm)	Efficiency (lm/W)	Lumens (lm)	Efficiency (lm/W)		Lumens (lm)	Efficiency (lm/W)	Lumens (lm)	Efficiency (lm/W)
884	12.8	1621	126	1497	117	18.0	2162	120	1995	111	26.9	3513	130	3243	120
1174	17.1	2162	126	1995	117	23.9	2882	120	2661	111	35.9	4685	130	4324	120
1464	21.4	2703	126	2494	117	29.9	3604	120	3326	111	44.9	5855	130	5405	120
1755	25.7	3243	126	2994	117	35.9	4324	120	3991	111	53.9	7027	130	6486	120
2045	29.9	3784	126	3493	117	41.9	5045	120	4657	111	62.8	8198	130	7567	120
2335	34.2	4324	126	3991	117	47.9	5766	120	5322	111	71.8	9369	130	8648	120
2625	38.5	4865	126	4490	117	53.9	6486	120	5987	111	80.8	10540	130	9729	120
2915	42.8	5405	126	4689	117	59.9	7207	120	6652	111	89.8	11711	130	10810	120

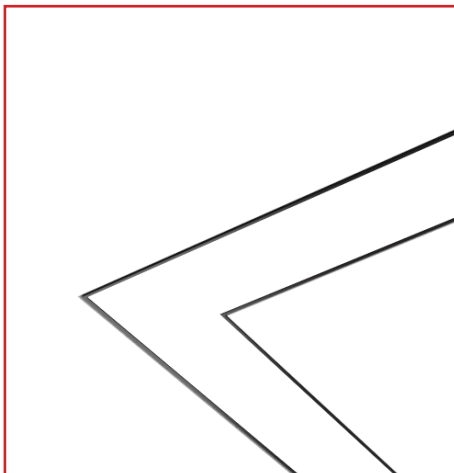
Specification based on 4000K/80CRI. Simulated Data.

Product Options	
Control	Switched - DALI 2 - (0)1-10V - Bluetooth (Casambi)
CCT	2200K* - 2700K* - 3000K** - 3500K* - 4000K** - 5000K*
CRI	>90CRI ->80CRI
Body Colour	Black - White - Silver - Custom RAL on request.
Diffuser Type	Opal - Microprismatic (MCP) (Low UGR)
Emergency*	Available on Lengths above 1464

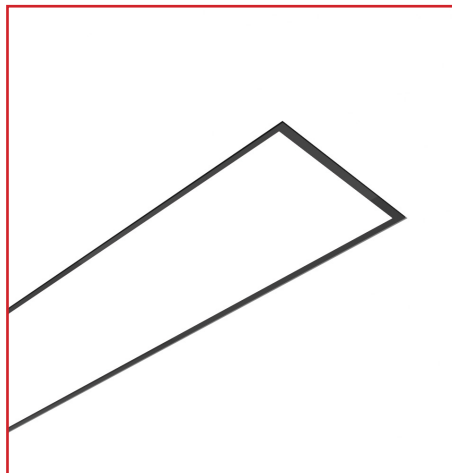
\*On Request \*\* Standard



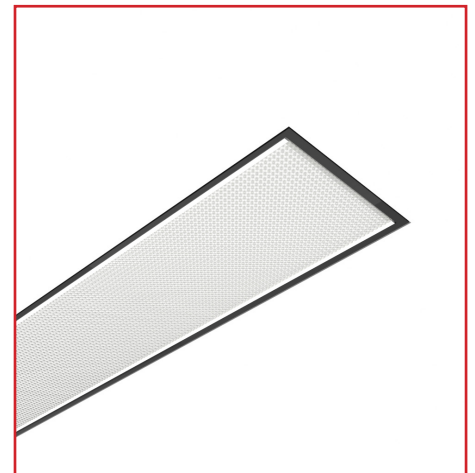
## Options



90° CORNER



Opal Diffuser



Micro-Prismatic Diffuser

Complies with EN60598-1 and pertinent regulations



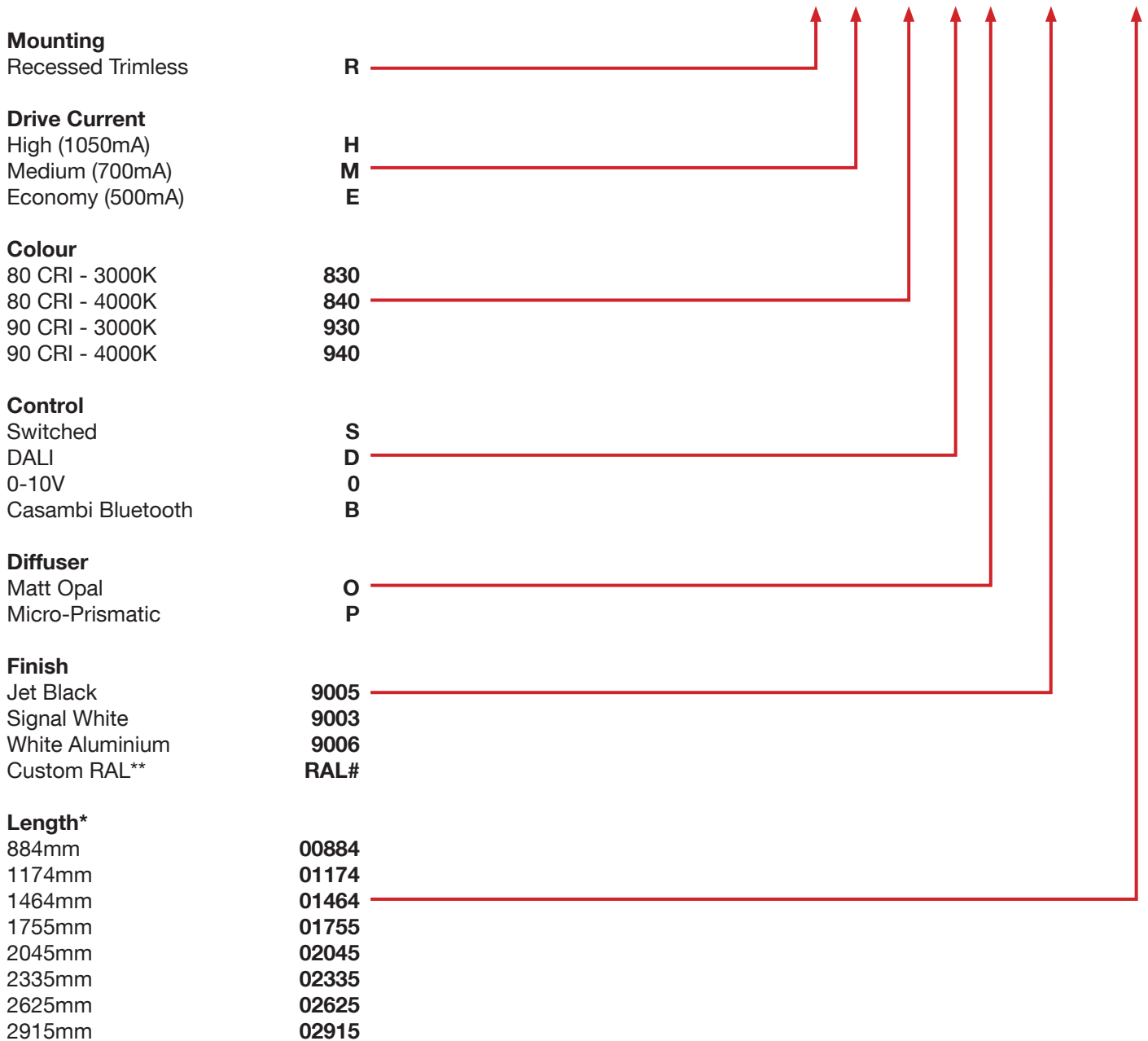
**FIG60-A-R**

Rev 0 - 01/21



## Product Selector

**FIG60-A-R-M-840-D-O-9005-01464**



### Extras - On Request\*\*\*

- Emergency Module
- 90° Corners
- Sensors

\*Custom lengths, infills, continuous lines and corners available.

\*\* Custom RAL colours subject to availability and order size

\*\*\*Please enquire with your requirements.

Please contact our sales team on **+44(0)113 263 9039** for further assistance

Specifications are subject to change without prior notice. Please refer to our website for most up to date version

**FIG60-A-R**

Rev 0 - 01/21

