

Fortis 3

Single Colour High Power Linear LED



5-Year Warranty



IP66 Rating



LM80 50,000hrs



ROHS Compliant



CE Certified



UK Conformity Assessed

Applications

- Wall wash
- Facades
- Landscape

Benefits

- Discreet and sleek design
- Wide range of CCT
- Colour rendering options
- High lumen output
- Low power consumption
- Various beam angles
- 16 lengths available
- Finish options
- 3 mounting positions
- Anti-glare accessory
- Easy installation
- Unique & compact design
- External use
- Remote Drivers

Features

- 25mm x 25mm profile dimensions
- 2200K > 5700K
- 80 or 90 CRI
- 4578 Lumens per metre
- 28W per metre
- 168mm - 2552mm lengths available
- Black, Silver anodised, custom
- Fixed or adjustable brackets
- Cowl option
- Pre-assembled with factory fitted tail and connector
- IP66
- Drivers up to 50m away

Electrical Information

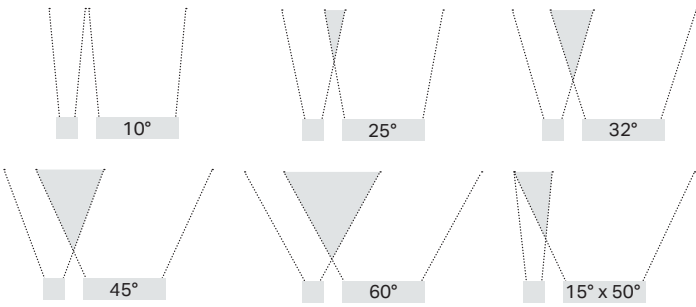
Lumen Output (lm/m) based on 4000K 4578

Power (W/m) 28

Technical Information

CCT	2200K • 2500K • 2700K • 3000K 3500K • 4000K • 5000K • 5700K
CRI	>80 • >90
Binning	3 Step MacAdam
Beam Angles	15° • 25° • 35° • 45° • 60° • 15°x50°
Lifetime @ LM80	50,000hrs @ 25°C
Operating Temp	-25°C to 55°C
IP Rating	IP66
Diffuser Material	Clear Polycarbonate
Finish	Silver Anodised Aluminium Black Anodised Aluminium Custom Anodised
Mounting	Fixed or Adjustable Brackets

Beam Angles



Product Code

FOR3 - 1 - 2 - 3 - 4 - 5 - 6

Create your product code by choosing your specification from the product areas below.

Example Codes

FOR3-827-35-S-C-A1-1875

FOR3-957-1550-C-C-F1-2552

1 CCT / CRI (Colour)

2200K **722** Only available in 70CRI

	80CRI	90CRI		80CRI	90CRI		80CRI	90CRI
2700K	827	927	3500K	835	935	5000K	850	950
3000K	830	930	4000K	840	940	5700K	857	957

2 Beam Angle

15°	15	35°	35	60°	60
25°	25	45°	45	15° x 50°	1550

3 Finish

Silver Anodised	S
Black Anodised	B
Custom Anodised	C

4 Cowl

Yes	C
No	X

5 Brackets

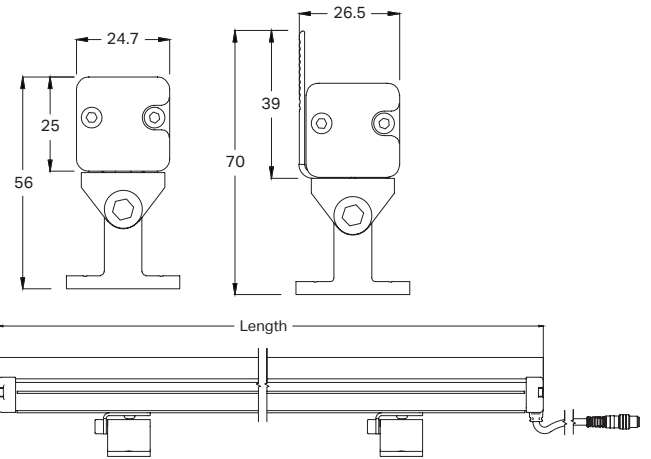
Flush Mount	F0	XXXXmm	XXXX
Flat Fixed	F1		
Adjustable	A1		
Bespoke	B		

6 Length

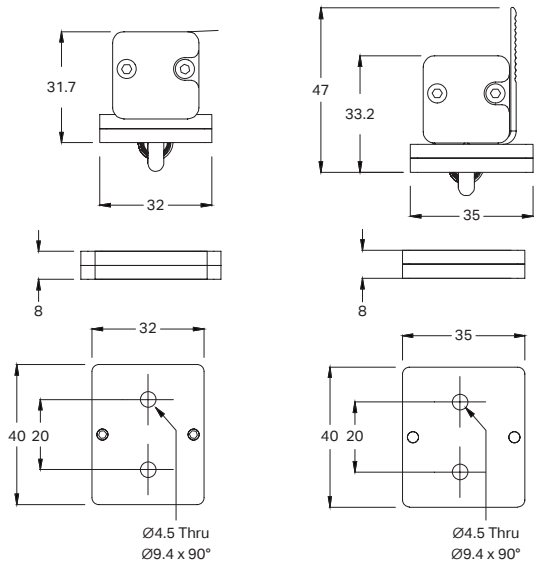
Fortis 3 fittings are provided with a 300mm cable with male plug connector. Extension cables with female socket connector must be purchased separately with the below product codes.

M12, 2 core, PUR 10000mm cable **CA040**

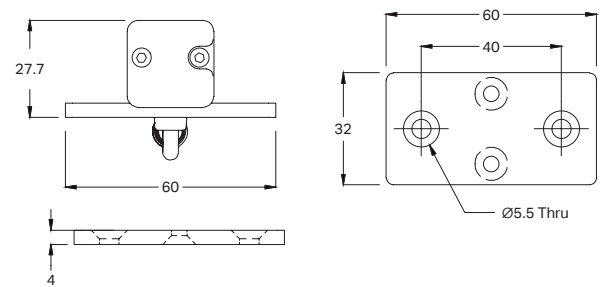
Specification Drawings



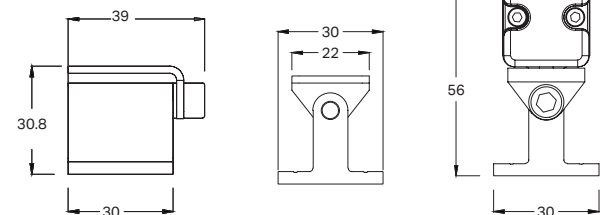
Flush Flat Bracket F0



Simple Flat Bracket F1



Adjustable Bracket A1



FOR3-0122

Complies with EN60598-1 and pertinent regulations

Specifications are subject to change without prior notice. Please refer to our website for most up to date version.



Contact our sales team for further assistance

0113 263 9039

sales@kempslighting.com

kempslighting.com

