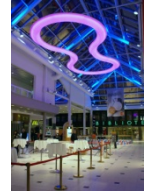




# K-Light Kallisto System



## Overview

Here at Kemp's, we have a wealth of experience when it comes to the design and fabrication of the often unusual lighting features we encounter. We can advise and assist in the design at the very early stages, making sure the design intent remains intact, whilst at the same time, using the latest fabrication methods to minimise costs, and keep it within budget.

From Design, to Mfr, through to Installation, basically the full turnkey project can be handled by our team.

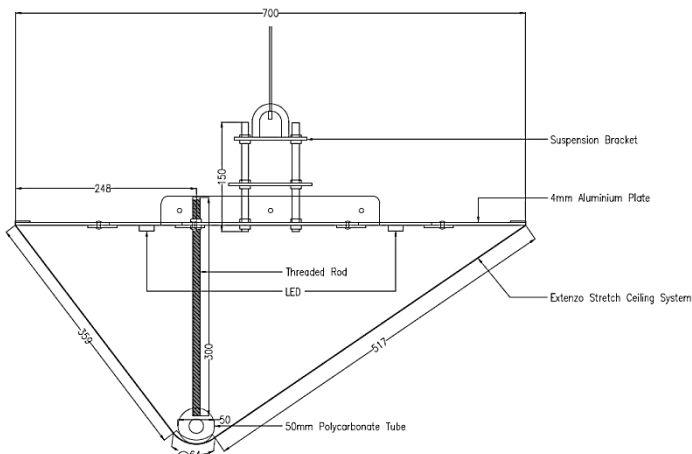
## Applications

- Shopping Malls
- Airports
- Hotels
- Swimming Pools
- Museums
- Car Showrooms

## Features

- Internal Led illumination (Cold Cathode option also)
- Longlife 50,000hrs
- Energy Efficient
- Any shape available
- Various Colours
- RGB Colour Changing
- Installation by Kemp's skilled engineers
- Ultra strong Translucent stretch fabric to any shape

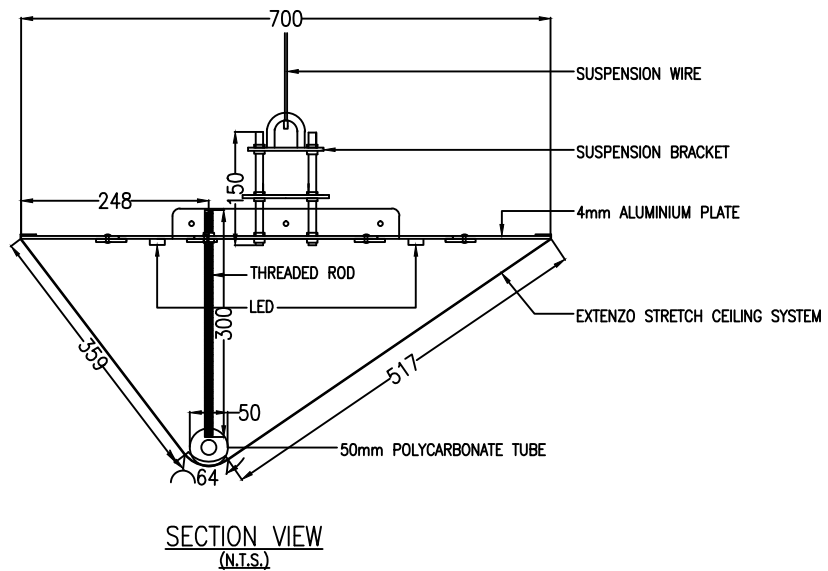
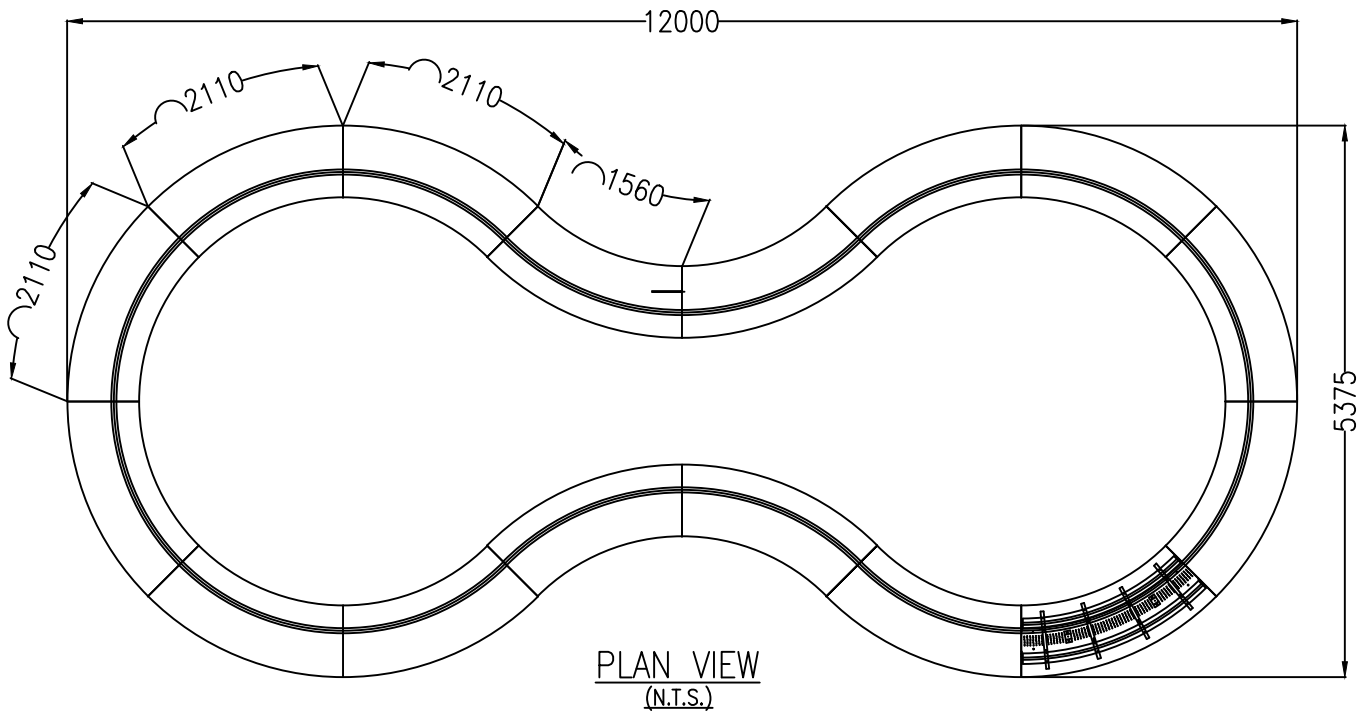
## Typical section



## Technical information

Specification
<b>Model:</b> K-Light Kallisto
<b>LED type:</b> SMD 5050 Samsung Tri Chip
<b>Led Pitch:</b> 40mm
<b>Connection:</b> In series
<b>Voltage DC:</b> 12v
<b>Dimmable:</b> 1-10v – DMX – Dali - Switched
<b>Power Consumption per metre:</b> 15w
<b>Lux @ 2metre:</b> App 150-200 (3000k)
<b>Beam angle:</b> 120°
<b>Colours:</b> 3000k, 4000k, 6000k, 8000k, Red, Blue, Green, RGB
<b>IP Rating:</b> IP68 – IP65
<b>Ambient Operating Temperature:</b> -20°C to 40°C
<b>Life Expectancy:</b> 50,000hrs
<b>Available Lengths:</b> Any

*\*Please liaise with our Sales Team for an initial design consultation.*



VARIOUS DESIGNS  
ARE AVAILABLE ON  
REQUEST

BASED ON CLIENTS DRAWING NUMBER  
-

Client: -	Title KALLISTO SYSTEM			Drawn By S.G.	Checked By M.K.
Status: DETAIL DRAWING				Date 29.11.2012	Date 29.11.2012
Contract -	Job No. -	Drawing No. D_0016	Revision -	Engineer M.K.	Scale @ A1 N.T.S.
				Date 29.11.2012	



W : www.kempslighting.com - E : info@kempslighting.com - T : +44 (0)113 263 9039

Copyright in this drawing is the property of Kempco Architectural Lighting (UK). It must not be reproduced, amended or used for the execution of any works in either in conjunction with the proposed works for which it is prepared or otherwise without the express consent of Kempco Lighting Ltd. Do not scale from this drawing.