

Fortis 3

Single Colour High Power Linear LED



5-Year
Warranty



IP66
Rating



LM80
50,000hrs



ROHS
Compliant



CE
Certified



UK Conformity
Assessed

Applications

- Wall wash
- Facade
- Landscape

Benefits

- Discreet and sleek design
- Wide range of CCT
- Colour rendering options
- High lumen output
- Low power consumption
- Various beam angles
- 16 lengths available
- Finish options
- 3 mounting positions
- Anti-glare options
- Easy installation
- Unique & compact design
- External use
- Remote drivers
- Fully dimmable

Features

- 25mm x 25mm profile dimensions
- 2200K > 5700K
- 80 or 90 CRI
- 3439 Lumens per metre
- 28W per metre
- 168mm - 2271mm lengths available
- Black, Silver anodised, custom
- Fixed or adjustable brackets
- Cowl or louvre options
- Pre-assembled with factory fitted tail and connector
- IP66
- Drivers up to 50m away

Electrical Information

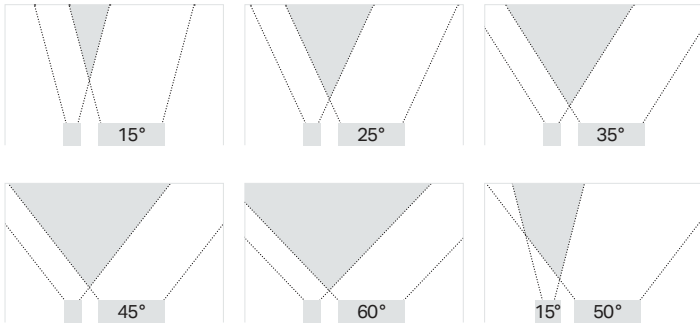
Lumen Output (lm/m) based on 15° 4000K 3439

Power (W/m) 28

Technical Information

CCT	2200K • 2500K • 2700K • 3000K 3500K • 4000K • 5000K • 5700K
CRI	>80 • >90
Control	Switched • 0-10V • DALI • Phase Casambi
Binning	3 Step MacAdam
LEDs Per Metre	30
Beam Angles	15° • 25° • 35° • 45° • 60° • 15°x50°
Lifetime @ LM80	50,000hrs @ 25°C
Operating Temp	-25°C to 55°C
IP Rating	IP66
Diffuser Material	Clear Polycarbonate
Finish	Silver Anodised Aluminium Black Anodised Aluminium Custom Anodised
Mounting	Fixed or Adjustable Brackets

Beam Angles



Product Code

FOR3 - 1 - 2 - 3 - 4 - 5 - 6

Create your product code by choosing your specification from the product areas below.

Example Codes

FOR3-827-35-S-C-A1-1875

FOR3-957-1550-C-C-F1-2271

1 CCT / CRI (Colour)

	>70CRI	>80CRI	>90CRI		>80CRI	>90CRI
2200K	722	N/A	N/A	3500K	835	N/A
2500K	N/A	825	N/A	4000K	840	940
2700K	N/A	827	927	5000K	850	N/A
3000K	N/A	830	930	5700K	857	N/A

2 Beam Angle

15°	15	35°	35	60°	60
25°	25	45°	45	15°x50°	1550

3 Finish

Silver Anodised	S
Black Anodised	B
Custom Anodised	C

4 Anti-Glare

None	X
Cowl	C
Louvre (integral mesh)	L
3D Louvre	3DL

5 Brackets

Flat Fixed	F1	XXXXmm	XXXX
Adjustable	A1		
Bespoke	B		

6 Length

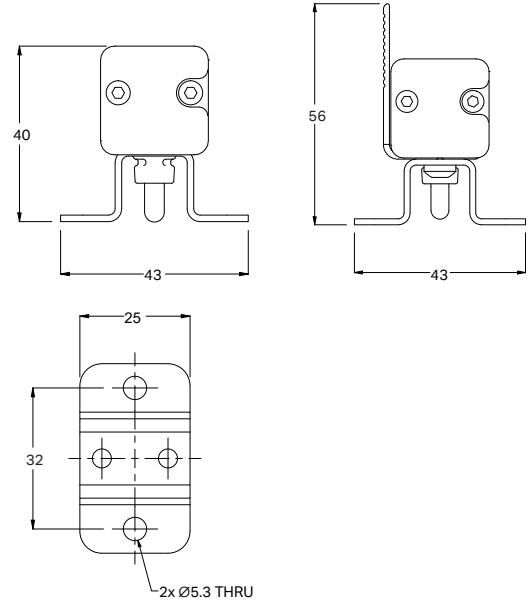
Fortis 3 fittings are provided with a 300mm cable with male plug connector. Extension cables with female socket connector must be purchased separately with the below product codes.

M12, 2 core, PUR, 10000mm female ext lead **CA040**

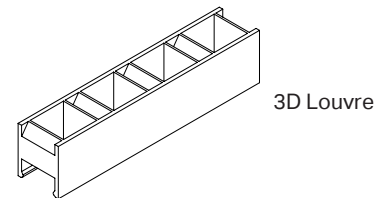
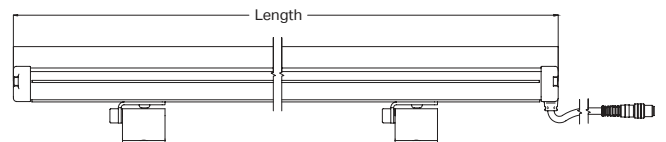
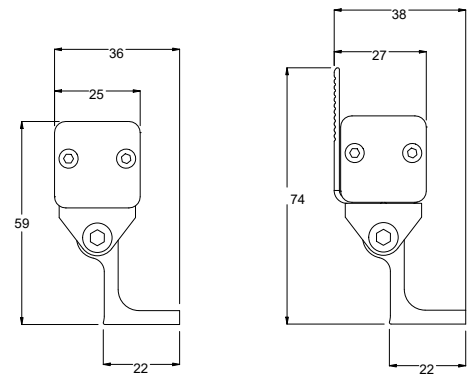
M12, 2 core, PUR, 50000mm female ext lead **CA216**

Specification Drawings

Simple Flat Bracket **F1**



Adjustable Bracket **A1**



Complies with EN60598-1 and pertinent regulations

Specifications are subject to change without prior notice. Please refer to our website for most up to date version.

FOR3-0722



Contact our sales team for further assistance

0113 263 9039

sales@kempsonlighting.com

kempsonarchitecturallighting.com