

Figaro 60 B P

Direct-Indirect Luminaire



Features

- LED suspended luminaire, direct-indirect distribution.
- Classic design, lightweight 67mm wide aluminium body, 100mm depth with polycarbonate opal or microprismatic diffuser options.
- Extra wide optical beam for uplighting
- Choice of silver, black and white body colours as standard with many custom RAL colours available.
- Latest Cree LED technology in 80CRI as standard.
- CCT 2200K, 2700K, 3500K, 5000K available on request (subject to quantity)
- Internal reflector constructed from the latest MCPET 99.6% reflective material, resulting in dot and shadow free homogenous light appearance.
- Standard and custom continuous lines of light. Squares and rectangles also available.
- Integral drivers with separate switching for direct in-direct dimming (DALI, (0)1-10V, Casambi)
- Additional integrated emergency and sensor technology also available.
- Options for adjustable spots, recessed spots and blank infill panels for extra customisation.
- UGR <19

Applications

- Retail
- Hospitality
- Residential
- Commercial
- Public Realm

Product Options

Control	Switched • DALI 2 • (0)1-10V • Bluetooth (Casambi)
CCT	2200K* • 2700K* • 3000K** • 3500K* • 4000K** • 5000K*
CRI	>90CRI • >80CRI
Body Colour	Black • White • Silver Custom RAL on request.
Diffuser Type	Opal • Microprismatic (MCP) (Low UGR)
Emergency*	Available on Lengths above 1174mm

*On Request ** Standard

Technical Information

Length	Opal						Micro-Prismatic					
	HIGH			ECO OM			HIGH			ECO OM		
	Lumens	W	Lm/W	Lumens	W	Lm/W	Lumens	W	Lm/W	Lumens	W	Lm/W
884mm	4323	41	107	3147	29	107	4323	41	107	3147	29	107
1174mm	5764	54	107	4196	39	107	5764	54	107	4196	39	107
1464mm	7205	68	107	5245	49	107	7205	68	107	5245	49	107
1755mm	8646	81	107	6294	59	107	8646	81	107	6294	59	107
2045mm	10087	95	107	7343	69	107	10087	95	107	7343	69	107
2335mm	11528	108	107	8392	78	107	11528	108	107	8392	78	107
2625mm	12969	122	107	9441	88	107	12969	122	107	9441	88	107
2915mm	14410	135	107	10490	98	107	14410	135	107	10490	98	107

Product Code

FIG60-B-P-**1-2-3-4-5-6**

Example Codes

Create your product code by choosing your specification from the product areas.

FIG60-B-P-H-840-D-O-9005-02915

Final example codes are shown to the right.

FIG60-B-P-E-840-B-P-9006-02625

1 Drive Current		2 CCT		3 Control		4 Diffuser	
High (1050mA)	H	80 CRI - 3000K	830	Switched	S	Matt Opal	O
Economy (500mA)	E	80 CRI - 4000K	840	DALI	D	Micro-Prismatic	P
		90 CRI - 3000K	930	0-10V	O		
		90 CRI - 4000K	940	Bluetooth	B		

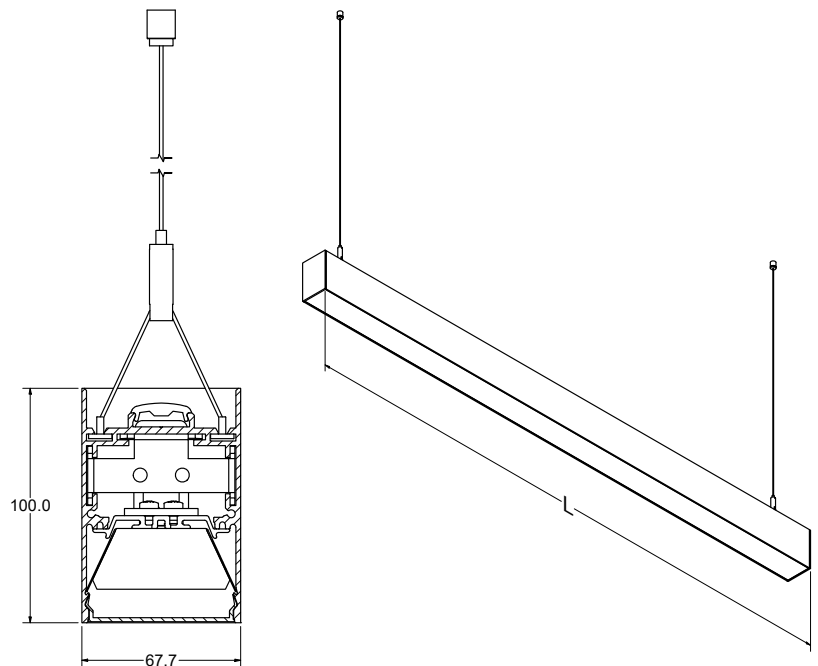
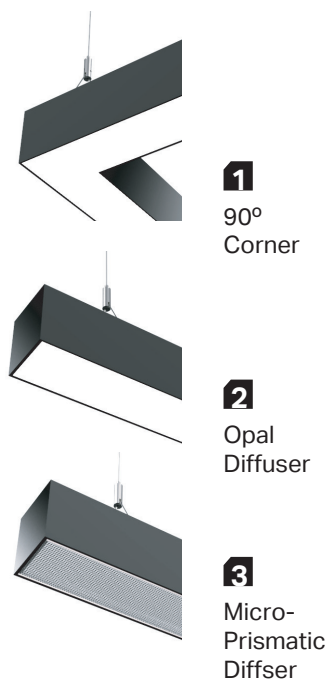
5 Finish		6 Length		Extras - On Request***			
Jet Black	9005	884mm	00884	2045mm	02045	Emergency Module	Adjustable Spots
Signal White	9003	1174mm	01174	2335mm	02335	90° Corners	Recessed spots
White Aluminium	9006	1464mm	01464	2625mm	02625	Sensors	Blank in-fill
Custom RAL**	RAL#	1755mm	01755	2915mm	02915		

*Custom lengths, infills, continuous lines and corners available. ** Custom RAL colours subject to availability and order size

***Please enquire with your requirements.

Options

Technical Drawings



Additional Accessories

White 3D printed ceiling rose 125mm dia (Other RAL colours on request) - CR001

FIG60-B-P-0922

Complies with EN60598-1 and pertinent regulations

Specifications are subject to change without prior notice. Please refer to our website for most up to date version.



Contact our sales team for further assistance

0113 263 9039

sales@kempslighting.com

kempslighting.com

**MADE IN
BRITAIN**