

# Figaro-60-C

Installation Instructions - Page 1/2



## WARNING

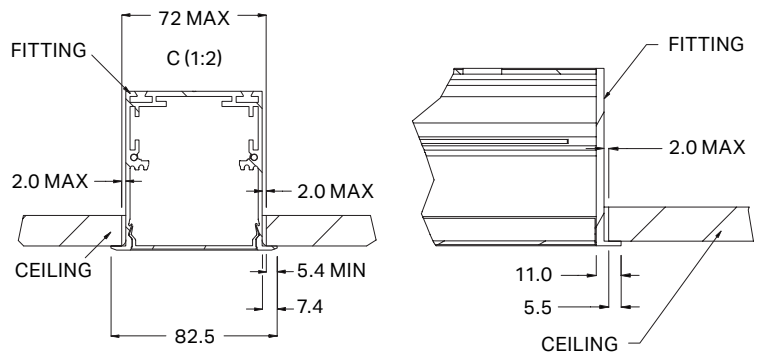
## READ BEFORE INSTALLATION

Installation must be carried out by a qualified electrician only.

- Disconnect power before installing.
- Refer to project drawings for assembly information.
- Do not exceed specified power rating.
- Refer to specification for operating conditions.
- Ensure correct polarity of all LED & control connections.
- In the event of tripping or irregular operation, disconnect power mains and connection to luminaire before investigating the problem.

## Product Details

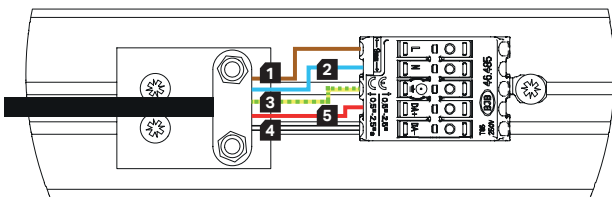
Fitting Length	Cut-out Width	Cut-out Length
896mm	72mm	900mm
1186mm	72mm	1190mm
1476mm	72mm	1480mm
1766mm	72mm	1770mm
2057mm	72mm	2061mm
2347mm	72mm	2351mm
2637mm	72mm	2641mm
2927mm	72mm	2931mm



## Installation Instructions

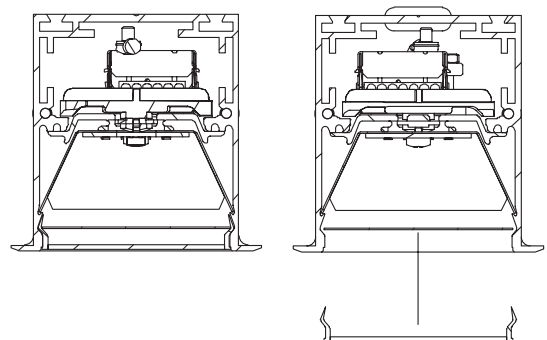
### 1 Mains and DALI Connection

1. **Brown:** Live      4. **White:** DALI 1 or 0-10V-  
 2. **Blue:** Neutral      5. **Red:** DALI 2 or 0-10V+  
 3. **Green/Yellow:** Earth

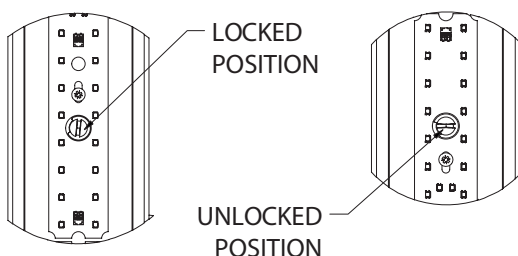


Ensure strain relief clamps on outer insulation

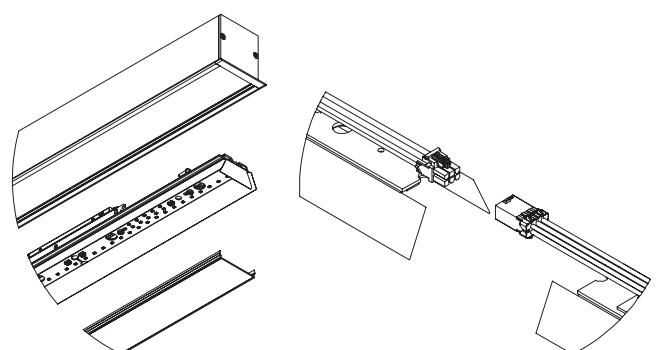
### 2 Snap diffuser out of fitting.



### 3 Using a flat head screwdriver - turn the locking clips 90° clockwise to unlock gear trays. Take care not to damage the LED's



### 3 Remove gear trays, taking care disconnecting the electrical connections.



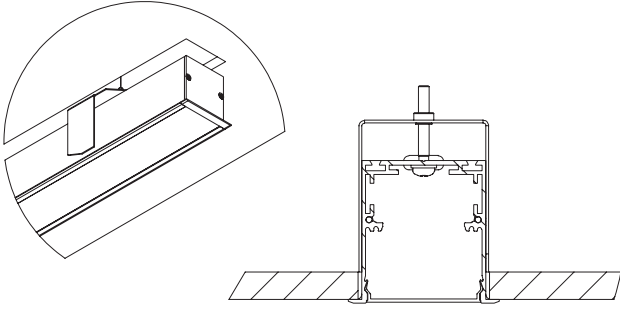
# Figaro-60-C

Installation Instructions - Page 2/2

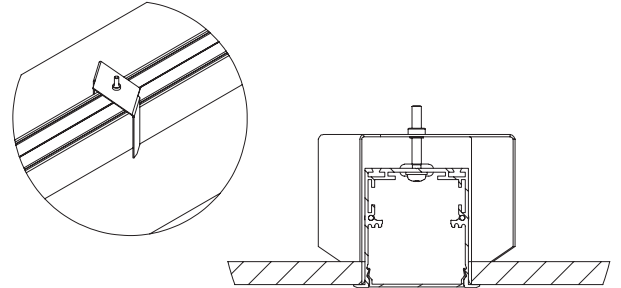


## Installation Instructions

- 4** Line the brackets up parallel with the sides of the extrusion. Push the fitting through the ceiling cut-out.



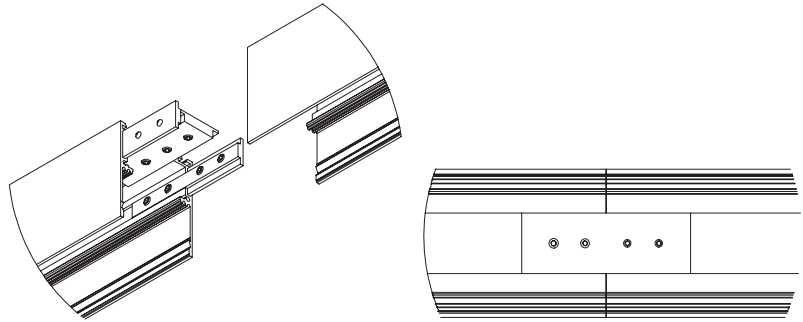
- 5** Tighten bolts inside the fitting extrusion profile until the bracket twists into locked position. Continue tightening until flange is tight against ceiling.



- 6** When installing the joined extrusion, fasten the joining plates on back and side half way into each housing profile.

Tighten the screws to hold in place

*Housings can be damaged if overtightened*



- 7** Replace gear trays making sure to connect electrical connections, including connecting the earth wire to the terminal block, and lock gear trays into place.

Tuck the reflector into the groove to hold in place. Snap the diffuser into the extrusion.

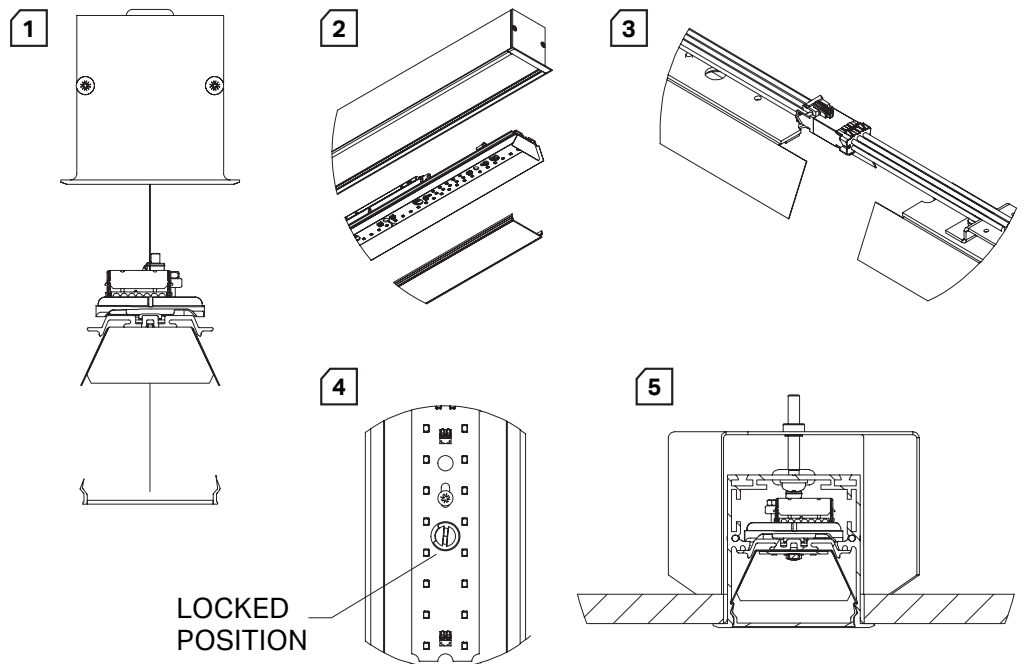


FIG60-C-1122



**Contact Us**

0113 263 9039

[sales@kempslighting.com](mailto:sales@kempslighting.com)

[kempsassitecturallighting.com](http://kempsassitecturallighting.com)

**MADE IN BRITAIN**