

FIG60 A P RGBW

Colour Changing Pendant Luminaire



5-Year
Warranty



IP40
Rating



Re-use
Luminaire



LM80
50,000hrs



ROHS
Compliant



CE
Certified



UK
CA
Assessed

Features

- Colour changing LED suspended luminaire, direct light distribution
- Red, Green, Blue and 4000K or 3000K
- Latest Cree LED technology
- Integral DALI or DMX control gear
- Classic design, lightweight 67mm wide aluminium body with polycarbonate opal diffuser
- Choice of Silver, Black and White body colours as standard with many custom RAL colours available
- Internal reflector constructed from the latest MCPET 99.6% reflective material, resulting in dot and shadow free homogenous light appearance
- Standard and custom continuous lines of light. Squares and rectangles also available.
- Stand alone dimming controller also available - inc programming and on-site commissioning to suit

Applications

- Retail
- Hospitality
- Commercial
- Public Realm

Product Options

Control DALI • DMX • Casambi

CCT RGBW40 • RGBW30

CRI 80CRI White Only

Body Colour Black • White • Silver • Custom RAL on request

Diffuser Type Opal

Lengths Multiple lengths available

Technical Information (based on 881mm fitting)

	LM	Watts per Colour	Watts
Red	972	8.6	40W
Green	1242	9.6	40W
Royal Blue	972	10.8	40W
White 4000k (80CRI)	1323	11.5	40W

Product Code

FIG60-A-P-**1**-**2**-**3**-**4**

Example Codes

Create your product code by choosing your specification from the product areas.

Final example codes are shown to the right.

FIG60-A-P-RGBW40-D-9005-1751

FIG60-A-P-RGBW30-X-9003-2042

1 CCT

RGBW 3000K **RGBW30**
 RGBW 4000K **RGBW40**

2 Control

DALI **D**
 DMX **X**
 Casambi Bluetooth **B**

3 Finish

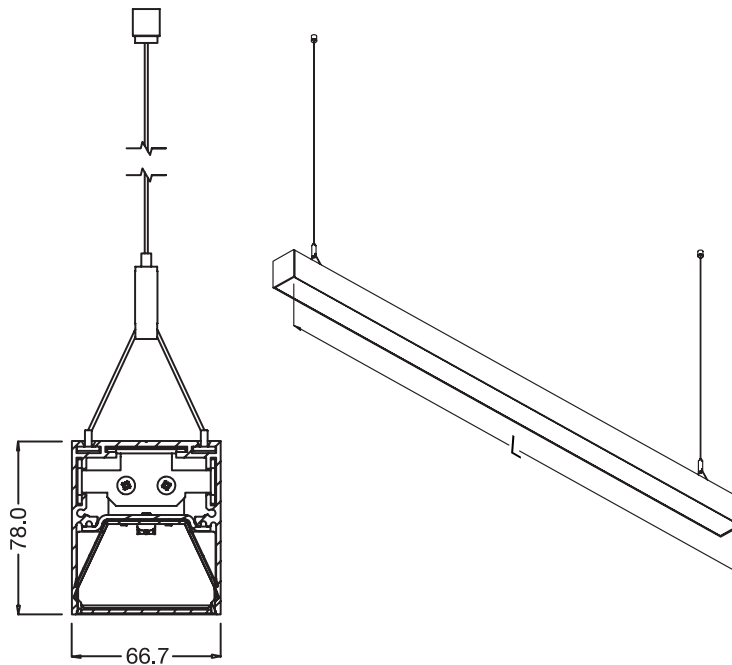
Black **9005**
 White **9003**
 Grey **9006**
 Custom RAL** **RAL#**

4 Length* (based on DMX, DALI by request)

881mm	881	2042mm	2042
1171mm	1171	2332mm	2332
1461mm	1461	2622mm	2622
1751mm	1751	2912mm	2912

*Custom lengths, infills, continuous lines and corners available. ** Custom RAL colours subject to availability and order size. Please enquire with your requirements.

Technical Drawings



Additional Accessories

3D printed ceiling rose 125mm dia (RAL colour on request) - CR001

FIG60-RGBW40-0223

Complies with EN60598-1 and pertinent regulations

Specifications are subject to change without prior notice. Please refer to our website for most up to date version.



Contact our sales team for further assistance

0113 263 9039

sales@kempslighting.com

kempslighting.com

