

# Figaro 40 A P

## Pendant Suspended



### Features

- LED suspended luminaire, direct light distribution.
- CCT 3000K, 4000K, others available on request (subject to quantity).
- Latest Cree LED technology with CRI80 & 90 as standard.
- Sleek lightweight design, 45mm width x 82mm height, Aluminium body with frosted or microprismatic diffuser options.
- Choice of silver, black and white body colours as standard with many custom RAL colours available.
- Various lengths from 594mm > 2912mm as standard.
- Integral gear.

### Applications

- Retail
- Hospitality
- Educational
- Commercial
- Public Realm

### Product Options

<b>Control</b>	Switched • DALI 2 • (0)1-10V • Bluetooth (Casambi)
<b>CCT</b>	2200K* • 2700K* • 3000K** • 3500K* • 4000K** • 5000K*
<b>CRI</b>	>90CRI • >80CRI
<b>Body Colour</b>	Black • White • Silver Custom RAL on request.
<b>Diffuser Type</b>	Opal • Microprismatic (MCP) (Low UGR)
<b>Emergency*</b>	1171mm and above

\*On Request \*\* Standard

### Technical Information

Length	OPAL									MICRO PRISMATIC								
	Low			Medium			High			Low			Medium			High		
	Watts	Lumen	LM/W	Watts	Lumen	LM/W	Watts	Lumen	LM/W	Watts	Lumen	LM/W	Watts	Lumen	LM/W	Watts	Lumen	LM/W
594	5.0	608	121	6.8	844	124	10.5	1182	112	5.0	608	121	6.8	844	124	10.5	1182	112
881	7.6	912	121	10.2	1266	124	15.8	1773	112	7.6	912	121	10.2	1266	124	15.8	1773	112
1171	10.1	1216	121	13.6	1688	124	21.0	2364	112	10.1	1216	121	13.6	1688	124	21.0	2364	112
1461	12.6	1520	121	17.0	2111	124	26.3	2955	112	12.6	1520	121	17.0	2111	124	26.3	2955	112
1751	15.1	1823	121	20.5	2533	124	31.5	3546	112	15.1	1823	121	20.5	2533	124	31.5	3546	112
2042	17.6	2127	121	23.9	2955	124	36.8	4137	112	17.6	2127	121	23.9	2955	124	36.8	4137	112
2332	20.2	2431	121	27.3	3377	124	42.1	4728	112	20.2	2431	121	27.3	3377	124	42.1	4728	112
2622	22.7	2735	121	30.7	3799	124	47.3	5318	112	22.7	2735	121	30.7	3799	124	47.3	5318	112
2912	25.2	3039	121	34.1	4221	124	52.6	5909	112	25.2	3039	121	34.1	4221	124	52.6	5909	112

Watts(W)    Lumens(lm)    Efficacy(lm/w)

Data on 4000K/80CRI

## Product Code

### FIG40-A-P-1-2-3-4-5-6

Create your product code by choosing your specification from the product areas.

Final example codes are shown to the right.

Example Codes

FIG40-A-P-H-840-0-P-9006-XXXX  
 FIG40-A-P-M-930-B-O-9003-XXXX

#### 1 Drive Current

High (600mA)  
 Medium (400mA)  
 Low (300mA)

H  
 M  
 L

#### 2 CCT

80 CRI - 3000K **830**  
 80 CRI - 4000K **840**  
 90 CRI - 3000K **930**  
 90 CRI - 4000K **940**

#### 3 Control

Switched **S**  
 DALI **D**  
 0-10V **0**  
 Bluetooth Casambi **B**

#### 4 Diffuser

Opal **O**  
 Micro-Prismatic **P**

#### 5 Finish

Jet Black **9005**  
 Signal White **9003**  
 Grey **9006**  
 Custom RAL\*\* **RAL#**

#### 6 Length\*

XXXXmm **XXXX**

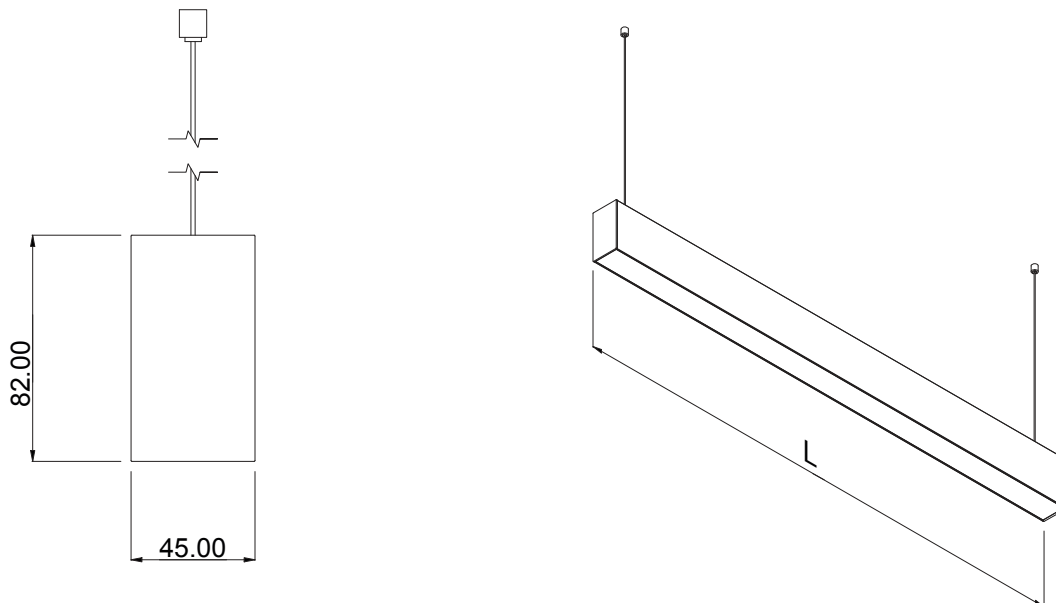
#### Extras - On Request\*\*\*

Emergency Module  
 Sensors

\*Custom lengths, infills and continuous runs available. \*\* Custom RAL colours subject to availability and order size

\*\*\*Please enquire with your requirements.

## Technical Drawings



### Additional Accessories

3D printed ceiling rose 125mm dia (RAL colour on request) - CR001

FIG40-A-P-1122

Complies with EN60598-1 and pertinent regulations

Specifications are subject to change without prior notice. Please refer to our website for most up to date version.



Contact our sales team for further assistance

0113 263 9039

sales@kempslighting.com

kempslighting.com

