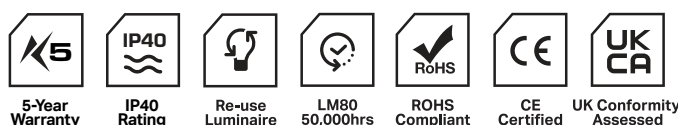


Figaro 40 A P

Pendant Suspended



Features

- LED suspended luminaire, direct light distribution.
- CCT 3000K, 4000K, others available on request (subject to quantity).
- Latest Cree LED technology with CRI80 & 90 as standard.
- Sleek lightweight design, 45mm width x 82mm height, Aluminium body with frosted or microprismatic diffuser options.
- Choice of silver, black and white body colours as standard with many custom RAL colours available.
- Various lengths from 594mm > 2912mm as standard.
- Integral gear.

Applications

- Retail
- Hospitality
- Educational
- Commercial
- Public Realm

Product Options

Control	Switched • DALI 2 • (0)1-10V • Bluetooth (Casambi)
CCT	2200K* • 2700K* • 3000K** • 3500K* • 4000K** • 5000K*
CRI	>90CRI • >80CRI
Body Colour	Black • White • Silver Custom RAL on request.
Diffuser Type	Opal • Microprismatic (MCP) (Low UGR)
Emergency*	Available on Lengths above 1559

*On Request ** Standard

Technical Information

LENGTH	Opal									Prismatic								
	Low			Medium			High			Low			Medium			High		
	W	lm	lm/w	W	lm	lm/w	W	lm	lm/w	W	lm	lm/w	W	lm	lm/w	W	lm	lm/w
881mm	8	1011	126	10	1404	140	16	1966	123	8	1011	126	10	1404	140	16	1966	123
1269mm	11	1483	135	15	2059	137	23	2883	125	11	1483	135	15	2059	137	23	2883	125
1559mm	14	1853	132	19	2574	135	29	3604	124	14	1853	132	19	2574	135	29	3604	124
1850mm	16	2190	137	22	3042	138	34	4259	125	16	2190	137	22	3042	138	34	4259	125
2042mm	18	2359	131	24	3276	137	37	4586	124	18	2359	131	24	3276	137	37	4586	124
2238mm	19	2595	137	26	3604	139	40	5045	126	19	2595	137	26	3604	139	40	5045	126
2528mm	23	3033	132	31	4212	136	47	5897	125	23	3033	132	31	4212	136	47	5897	125
2720mm	24	3201	133	32	4446	139	50	6224	124	24	3201	133	32	4446	139	50	6224	124
2912mm	26	3471	134	35	4820	138	54	6749	125	26	3471	134	35	4820	138	54	6749	125

Product Code

FIG40-A-P-1-2-3-4-5-6

Create your product code by choosing your specification from the product areas.

Final example codes are shown to the right.

Example Codes

FIG40-A-P-H-840-0-P-9006-XXXX

FIG40-A-P-M-930-B-O-9003-XXXX

1 Drive Current

High (600mA)
Medium (400mA)
Low (300mA)

H
M
L

2 CCT

80 CRI - 3000K **830**
80 CRI - 4000K **840**
90 CRI - 3000K **930**
90 CRI - 4000K **940**

3 Control

Switched **S**
DALI **D**
0-10V **0**
Bluetooth Casambi **B**

4 Diffuser

Opal **O**
Micro-Prismatic **P**

5 Finish

Jet Black **9005**
Signal White **9003**
White Aluminium **9006**
Custom RAL** **RAL#**

6 Length*

XXXXmm **XXXX**

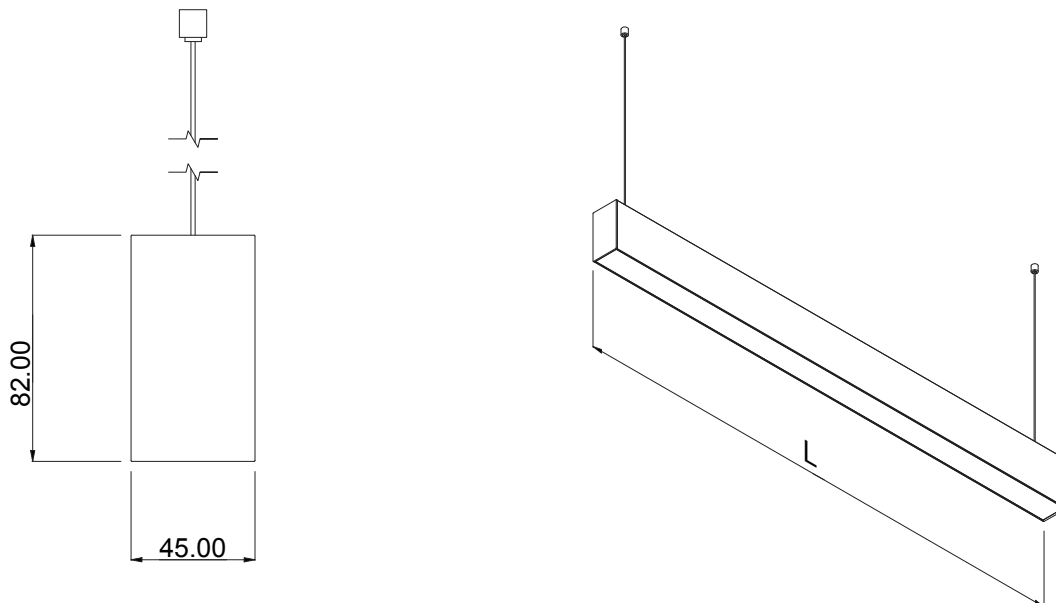
Extras - On Request***

Emergency Module
Sensors

*Custom lengths, infills and continuous runs available. ** Custom RAL colours subject to availability and order size

***Please enquire with your requirements.

Technical Drawings



Additional Accessories

3D printed ceiling rose 125mm dia (RAL colour on request) - CR001

FIG40-A-P-1122

Complies with EN60598-1 and pertinent regulations

Specifications are subject to change without prior notice. Please refer to our website for most up to date version.



Contact our sales team for further assistance

0113 263 9039

sales@kempslighting.com

kempslighting.com

