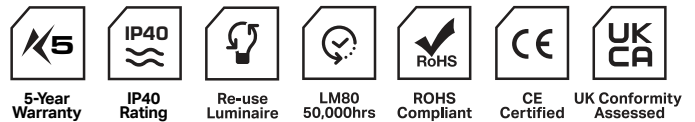




# Figaro 40 L C

## Recessed Trimmed Louvre



### Features

- LED recessed with trim luminaire, direct light distribution.
- Highly efficient lighting system for offices, education & retail environment.
- <19 UGR - over 145 lumens per circuit watt (BREEAM regs).
- Unique Dark Light metal specular gloss louvres to minimise glare and maximise efficiency.
- Options for Black or White louvres in Matt or Gloss finish.
- 35°- 50°- 80°- 80°Batwing & Wall wash optics available.
- CCT 3000K, 4000K, others available on request (subject to quantity).
- Latest Tridonic LED technology with CRI80 & 90 as standard.
- Aluminium body - sleek lightweight design, 45mm width x 82mm height.
- Choice of silver, black and white body colours as standard with many custom RAL colours available.
- Various lengths from 300mm > 1420mm as standard.
- Integral gear.

### Applications

- Retail
- Hospitality
- Educational
- Commercial
- Public Realm

### Product Options

<b>Control</b>	Switched • DALI 2 • (0)1-10V • Bluetooth (Casambi)
<b>CCT</b>	3000K • 4000K
<b>CRI</b>	>90CRI • >80CRI
<b>Body Colour</b>	Black • White • Silver Custom RAL on request.
<b>Emergency*</b>	Available on Lengths above 1420



Contact our sales team for further assistance

0113 263 9039

sales@kempslighting.com

kempsassitecturallighting.com

## Product Code

### FIG40-L-C-**1**-**2**-**3**-**4**-**5**-**6**-**7** *Example Codes*

Create your product code by choosing your specification from the product areas.

Final example codes are shown to the right.

FIG40-L-C-H-830-D-35-MB-9005-0580

FIG40-L-C-L-940-B-80-GW-9003-1140

<b>1 Drive Current</b>		<b>2 CCT</b>		<b>3 Control</b>		<b>4 Beam Angle</b>	
High	H	80 CRI - 3000K	<b>830</b>	Switched	<b>S</b>	35°	<b>35</b>
Low	L	80 CRI - 4000K	<b>840</b>	DALI	<b>D</b>	50°	<b>50</b>
		90 CRI - 3000K	<b>930</b>	0-10V	<b>O</b>	80°	<b>80</b>
		90 CRI - 4000K	<b>940</b>	Bluetooth Casambi	<b>B</b>	80° Batwing	<b>80B</b>
						Wall Wash	<b>WW</b>
						Asymmetric	<b>ASY</b>

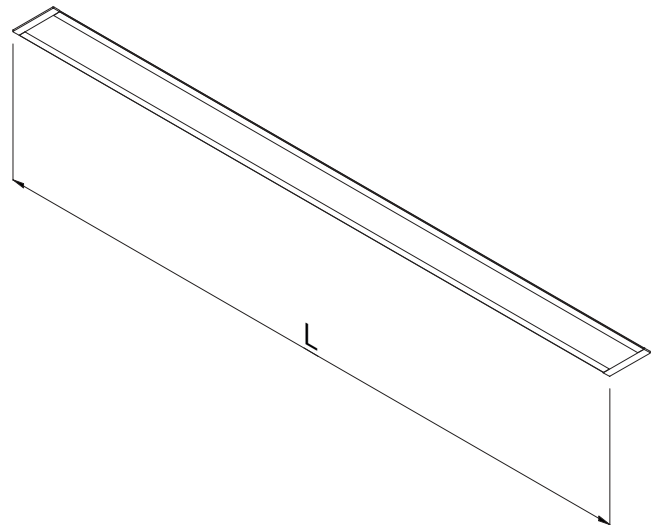
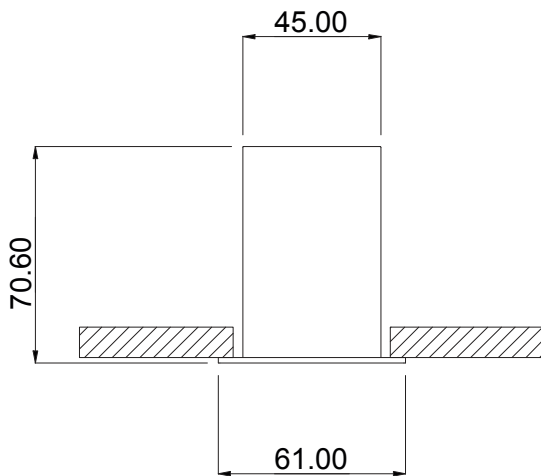
  

<b>5 Reflector</b>		<b>6 Finish</b>		<b>7 Length*</b>		<b>Extras - On Request***</b>
Matt White	<b>MW</b>	Jet Black	<b>9005</b>	300mm	<b>0300</b>	Emergency Module
Gloss White	<b>GW</b>	Signal White	<b>9003</b>	580mm	<b>0580</b>	Sensors
Matt Black	<b>MB</b>	Grey	<b>9006</b>	860mm	<b>0860</b>	
Gloss Black	<b>GB</b>	Custom RAL**	<b>RAL#</b>	1140mm	<b>1140</b>	
Specular Matt (Dark Light)	<b>SM</b>			1420mm	<b>1420</b>	
Specular Gloss (Dark Light)	<b>SG</b>					

\*Custom lengths, infills and continuous runs available. \*\* Custom RAL colours subject to availability and order size

\*\*\*Please enquire with your requirements.

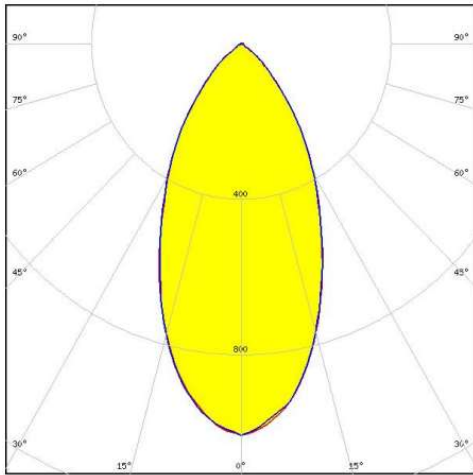
## Technical Drawings



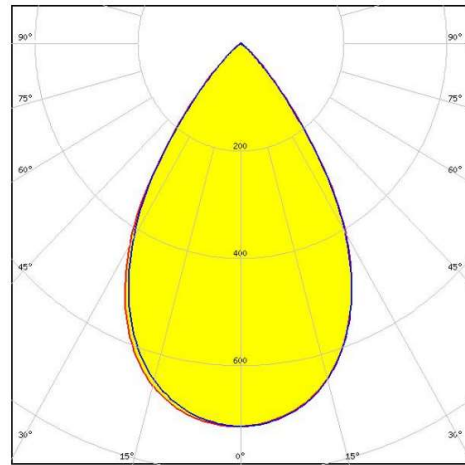
## Additional Accessories

3D printed ceiling rose 125mm dia (RAL colour on request) - CR001

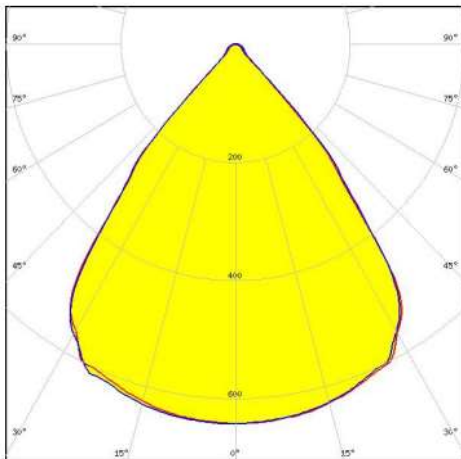
# Beam Angle Variations



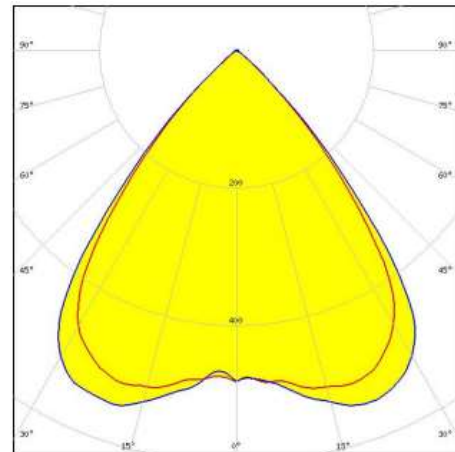
35°



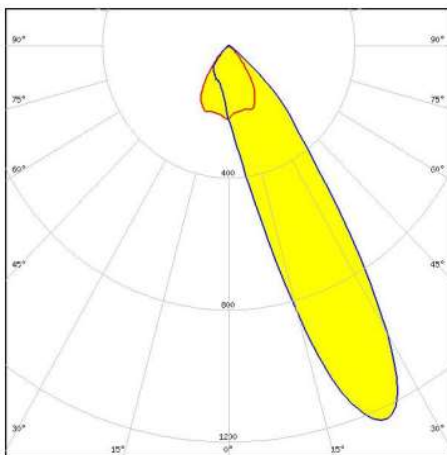
50°



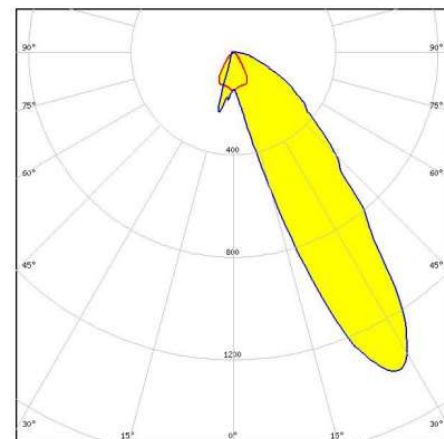
80°



80° Batwing



Asymmetric  
(Aisle Lighting)



Asymmetric  
(Wall-washing)

Complies with EN60598-1 and pertinent regulations

Specifications are subject to change without prior notice. Please refer to our website for most up to date version.



Contact our sales team for further assistance

0113 2639039 <sup>N</sup> sales@kemplighting.com kemparchitectorallighting.com

## Photometric Data

Length	Lumens	Watts	LM/W	Ouput	Louvre Type	Optic	CCT
567mm	1559	10.7	145	High	Matt Black	80° Bat Wing	4000K 80CRI
847mm	2339	16.1	145				
1127mm	3119	21.5	145				
1407mm	3898	26.8	145				
1687mm	4687	32.2	145				
1967mm	5458	37.6	145				
2247mm	6237	42.9	145				
2527mm	7017	48.3	145				
2807mm	7797	53.7	145				
567mm	756	5.2	145	Low	Matt Black	80° Bat Wing	4000K 80CRI
847mm	1134	7.8	145				
1127mm	1512	10.4	145				
1407mm	1890	13.0	145				
1687mm	2268	15.6	145				
1967mm	2646	18.2	145				
2247mm	3024	20.8	145				
2527mm	3402	23.4	145				
2807mm	3780	26.0	145				
567mm	1823	10.7	170	High	Matt White	80° Bat Wing	4000K 80CRI
847mm	2735	16.1	170				
1127mm	3647	21.5	170				
1407mm	4558	26.8	170				
1687mm	5470	32.2	170				
1967mm	6382	37.6	170				
2247mm	7293	42.9	170				
2527mm	8205	48.3	170				
2807mm	9117	53.7	170				
567mm	884	5.2	170	Low	Matt White	80° Bat Wing	4000K 80CRI
847mm	1326	7.8	170				
1127mm	1768	10.4	170				
1407mm	2210	13.0	170				
1687mm	2652	15.6	170				
1967mm	3094	18.2	170				
2247mm	3536	20.8	170				
2527mm	3978	23.4	170				
2807mm	4420	26.0	170				
567mm	1559	10.7	145	High	Matt Black	80°	4000K 80CRI
847mm	2339	16.1	145				
1127mm	3119	21.5	145				
1407mm	3898	26.8	145				
1687mm	4678	32.2	145				
1967mm	5458	37.6	145				
2247mm	6237	42.9	145				
2527mm	7017	48.3	145				
2807mm	7797	53.7	145				
567mm	756	5.2	145	Low	Matt Black	80°	4000K 80CRI
847mm	1134	7.8	145				
1127mm	1512	10.4	145				
1407mm	1890	13.0	145				
1687mm	2268	15.6	145				
1967mm	2646	18.2	145				
2247mm	3024	20.8	145				
2527mm	3402	23.4	145				
2807mm	3780	26.0	145				

Length	Lumens	Watts	LM/W	Ouput	Louvre Type	Optic	CCT
567mm	1823	10.7	170	High	Matt White	80°	4000K 80CRI
847mm	2735	16.1	170				
1127mm	3647	21.5	170				
1407mm	4558	26.8	170				
1687mm	5470	32.2	170				
1967mm	6382	37.6	170				
2247mm	7293	42.9	170				
2527mm	8205	48.3	170				
2807mm	9117	53.7	170				
567mm	884	5.2	170				
847mm	1326	7.8	170				
1127mm	1768	10.4	170				
1407mm	2210	13.0	170				
1687mm	2652	15.6	170				
1967mm	3094	18.2	170				
2247mm	3536	20.8	170				
2527mm	3978	23.4	170				
2807mm	4420	26.0	170				
567mm	1559	10.7	145	High	Matt Black	50°	4000K 80CRI
847mm	2339	16.1	145				
1127mm	3119	21.5	145				
1407mm	3898	26.8	145				
1687mm	4678	32.2	145				
1967mm	5458	37.6	145				
2247mm	6237	42.9	145				
2527mm	7017	48.3	145				
2807mm	7797	53.7	145				
567mm	756	5.2	145				
847mm	1134	7.8	145				
1127mm	1512	10.4	145				
1407mm	1890	13.0	145				
1687mm	2268	15.6	145				
1967mm	2646	18.2	145				
2247mm	3024	20.8	145				
2527mm	3402	23.4	145				
2807mm	3780	26.0	145				
567mm	1823	10.7	170	High	Matt White	50°	4000K 80CRI
847mm	2735	16.1	170				
1127mm	3647	21.5	170				
1407mm	4558	26.8	170				
1687mm	5470	32.2	170				
1967mm	6382	37.6	170				
2247mm	7293	42.9	170				
2527mm	8205	48.3	170				
2807mm	9117	53.7	170				
567mm	884	5.2	170				
847mm	1326	7.8	170				
1127mm	1768	10.4	170				
1407mm	2210	13.0	170				
1687mm	2652	15.6	170				
1967mm	3094	18.2	170				
2247mm	3536	20.8	170				
2527mm	3978	23.4	170				
2807mm	4420	26.0	170				