



KEMPS
ARCHITECTURAL LIGHTING

Artemis 1

Track mounted LED Spotlight



5-Year Warranty



IP20 Rating



Re-use Luminaire



LM70 50,000hrs



ROHS Compliant



CE Certified



UK Conformity Assessed

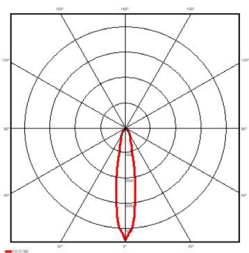
Applications

- Retail
- Museums
- Gallery
- Healthcare
- Offices

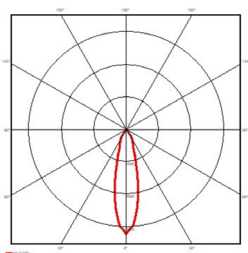
Features

- Sleek contemporary track spotlight with vertical gear housing
- Swivel, tilt adjustment for total directional control
- Various lumen options
- Adjustment of 355°Horizontal, 0-90°Vertical
- Tridonic LED Technology
- DALI or switched control
- 3 beam & 2 finish options
- Low glare multi-faceted reflectors
- Highly efficient passive heatsink
- Global compatible 3 circuit track adaptor as standard
- 50,000hr life (L70/F10)

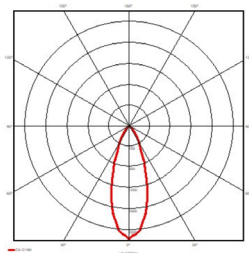
Beam Angle



19° Beam Angle



25° Beam Angle



36° Beam Angle

Lumen Data

10 Watts

CCT	Lumens	Efficacy
830	1100	110
930	925	93
840	1175	118
940	975	98

20 Watts

CCT	Lumens	Efficacy
830	1975	99
930	1625	81
840	2075	104
940	1750	88

Technical Information

CCT	3000K • 4000K
CRI	80CRI • 90CRI
Watts	10W • 20W
Lumens (80CRI 4000K)	1175 • 2075
Beam Options	19° • 25° • 36°
Finish	Black • White
MacAdam (SDCM)	3
Weight	1.4kg
Mains Voltage	220-240V
Mains Frequency	50-60Hz
IP Rating	IP20
Min Operating Temp	-25c
Max Operating Temp	30c (10W) • 25c (20W)
Warranty	5yrs
Lifetime (L70/F10)	>55000hrs

Product Code

ART1 - 1 - 2 - 3 - 4 - 5

Create your product code by choosing your specification from the product areas.

Final example codes are shown below.

Example Codes

ART1-930-25-10-B-D

ART1-840-36-20-W-S

1 CCT

3000K - 90CRI	930
3000K - 80CRI	830
4000K - 90CRI	940
4000K - 80CRI	840

2 Beam Angle

19°	19
25°	25
36°	36

3 Watts

10W	10
20W	20

4 Finish

Black	B
White	W

5 Control

*DALI	D
*Switched	S

*Horizontal gear housing available

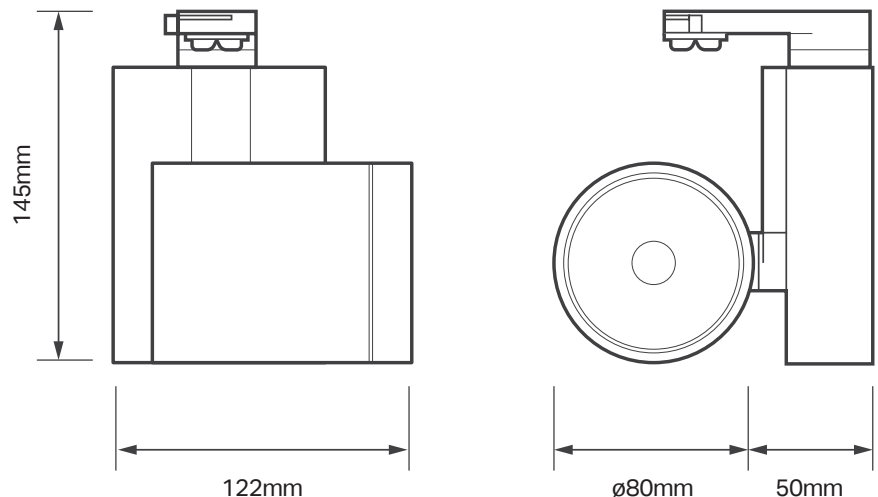
Additional Material

Description

Kemps Code

1000mm Track, 3 circuit, DALI, White	TRAK001
1000mm Track, 3 circuit, DALI, Black	TRAK002
2000mm Track, 3 circuit, DALI, White	TRAK003
2000mm Track, 3 circuit, DALI, Black	TRAK004
End Feed, White	TRAK005
End Feed, Black	TRAK006
L Connector, White	TRAK007
L Connector, Black	TRAK008
Straight connector, White	TRAK009
Straight connector, Black	TRAK010
Adjustable corner, White	TRAK011
Adjustable corner, Black	TRAK012
End cap, White	TRAK013
End cap, Black	TRAK014
Fixing point for surface mounted spots, White	TRAK015
Fixing point for surface mounted spots, Black	TRAK016
Track cutting tool	TRAK017
Fast clamp with clutch, 2mtr suspension, White (3per 2mtr, 2 per 1mtr)	TRAK018
Fast clamp with clutch, 2mtr suspension, Black (3per 2mtr, 2 per 1mtr)	TRAK019

Dimension Details



ART1-1222

Complies with EN60598-1 and pertinent regulations

Specifications are subject to change without prior notice. Please refer to our website for most up to date version.



Contact our sales team for further assistance

0113 263 9039

sales@kempslighting.com

kempsarchitecturallighting.com