



Sabre

LED Pendants



The Sabre range is a quality decorative LED pendant which can transform and add striking coloured effects to hotels, bars, restaurants, atriums and shopping malls. Various colour options are available from 2700k up to 5000K plus Red, Blue and Green. Sabre pendants are made using Opal Acrylic and are fully dimmable using DALI, DMX or 0-10V remote mounted power supplies.

Available in 6 different diameters ranging from 100mm upto 250mm and in lengths between 500mm and 2500mm. Sabre pendants are delivered pre-assembled ready to hang and finished with Aluminium caps and suspension wire kits to facilitate easy installation.

Please talk to our sales team to discuss your project further.

Applications

- Receptions
- Atriums
- Restaurants
- Bars
- Hotels
- Malls

Features

- Various colour options
- Colour changing option
- Dimmable
- Various diameters and lengths
- Opal Acrylic tubing
- Remote drivers & control gear
- Aluminium end caps with various finishes
- IP54 or IP66
- 3yr Warranty
- ROHS Compliant
- Designed and Made in the UK

Technical Information

Watts (based on 1000mm app)	20W
CCT	2700K • 3000K • 4000K • 5000K • Red • Green • Blue
CRI	80CRI
Diameters	100mm > 250mm
Lengths	500mm > 2500mm
Control	DALI • DMX • 0-10V • Switched
Operating Temp	-25°C to 40°C
IP Rating	IP54 • IP66
Lifetime	30,000Hrs
Cover	Opal Acrylic
Finish	Anodised Aluminium • White • Black • Grey • Custom RAL
Mounting	Suspension Kit • Surface
Weight	App 2kg • based on 1000mm

Product Code

Typical Specification Drawing

SAB-1-2-3-4-5-6-7

Create your product code by choosing your specification from the product areas.

Final example codes are shown below.

Example Codes

SAB-30-AA-D-P-54-160-XXXX

SAB-B-B-X-HS-66-200-XXXX

1 CCT

2700K	27
3000K	30
4000K	40
5000K	50
Red	R
Green	G
Blue	B

2 End Caps

Anodised Aluminium	AA
White	W
Black	B
Grey	G
RAL#	RAL#

3 Control

DALI	D
DMX	X
0-10V	0
SWITCHED	S

4 Mounting

Suspended	P
Horizontal Surface	HS
Vertical Surface	VS
Bespoke	B

5 IP Rating

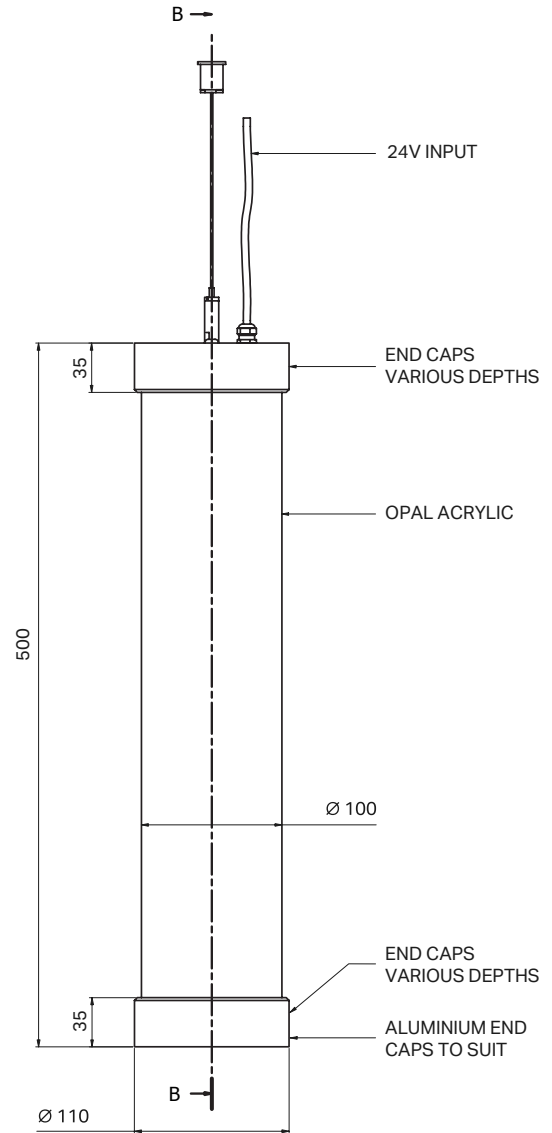
IP54	54
IP66	66
XXXXmm	XXXX

6 Diameter

100mm	100
120mm	120
150mm	150
160mm	160
200mm	200
250mm	250

7 Length

XXXXmm	XXXX
--------	------



SAB-1222

Complies with EN60598-1 and pertinent regulations

Specifications are subject to change without prior notice. Please refer to our website for most up to date version.



Contact our sales team for further assistance

0113 263 9039

sales@kempslighting.com

kempslighting.com