

Flexus 11 Silicone

Single Colour Flexible LED



Applications

- Landscapes
- Pools
- Facades

Features

- High quality homogenous light
- Horizontal bend
- 400mm min bend diameter
- Exterior and underwater use
- IP68
- Power from one or both ends
- Environmentally friendly
- UV resistant
- Silicone material

Technical Information

Power (W/m)	12	16.5
Lumen Output (lm/m) Based on 4000K	950	1400
Material	Silicone	
Bending	Horizontal	
CCT	2200K • 2700K • 3000K • 4000K	
CRI	80 • 90	
Control	Switched • 0-10V • DALI • DMX • Phase • Bluetooth	
Beam Angle	116°	
LED	Nichia	
Binning	3 Step MacAdam	
Input Voltage (V)	24	
Max length (1 Entry)	15mtr (12W) • 10mtr (16.5W)	
Cutting	50mm	
IP Rating	IP68	
IK Rating	IK10	
Operating Ambient Temp	-40°C to 55°C	
Lifetime	>50,000hrs	
Connection	5mtr tail to bare end	

Product Code

FX11-S - 1 - 2 - 3 - 4 - 5 - 6

Create your product code by choosing your specification from the product areas.

Final example codes are shown to the right.

Example Codes

FX11-S-827-12-HB-1E-68-XXXX
FX11-S-840-16.5-HB-1S-68-XXXX

1 CCT

2200K 80CRI	822	2200K 90CRI	922
2700K 80CRI	827	2700K 90CRI	927
3000K 80CRI	830	3000K 90CRI	930
4000K 80CRI	840	4000K 90CRI	940

2 Power

12W	12
16.5W	16.5

3 Bend

Horizontal	HB
------------	-----------

4 Cable Entry

1 End Feed	1E
1 Side Feed	1S
1 Rear Feed	1R
2 End Feed	2E
2 Side Feed	2S
2 Rear Feed	2R

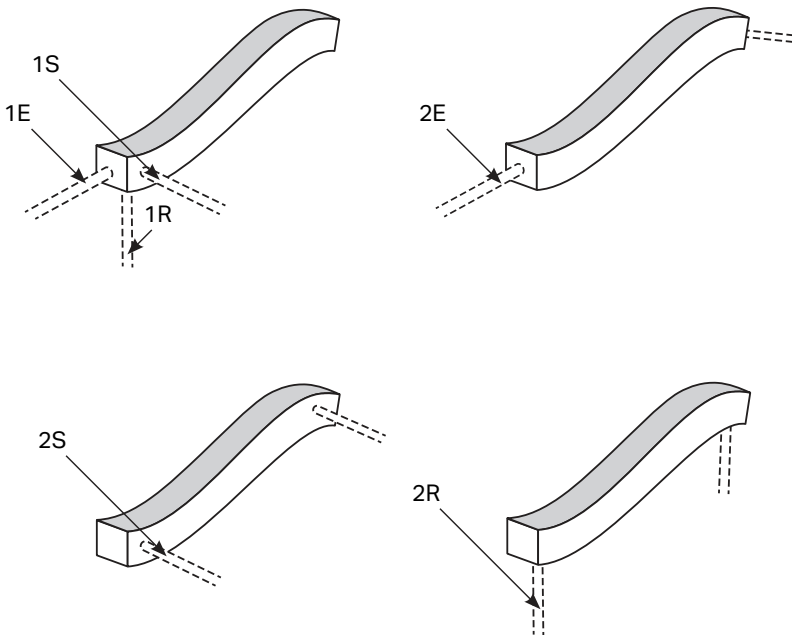
5 IP Rating

IP68 Max 5m depth	68
-------------------	-----------

6 Length

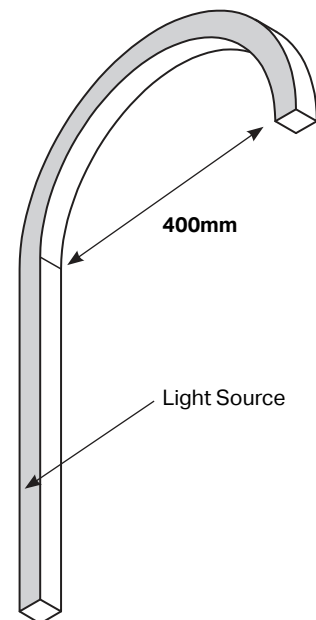
XXXXmm	XXXX
--------	-------------

Cable Entry Options



! Assembly Caution

Min Bend Dia is **400mm**



Complies with EN60598-1 and pertinent regulations

Specifications are subject to change without prior notice. Please refer to our website for most up to date version.



Contact our sales team for further assistance

0113 263 9039

sales@kempslighting.com

kempsarchitecturallighting.com

Flexus 11

Fixing Accessories

Description

Kemps Code

Specification Drawings

Serrated Aluminium Profile 2000mm

FX11-SAP-2000

Serrated Aluminium Profile 1000mm

FX11-SAP-1000

Serrated Aluminium Profile 500mm

FX11-SAP-0500

Serrated Aluminium Profile 20mm

FX11-SAP-0020

Flanged Serrated Aluminium Profile 2000mm

FX11-TPP-2000

Flanged Serrated Aluminium Profile 1000mm

FX11-TPP-1000

Flanged Serrated Aluminium Profile 500mm

FX11-TPP-0500

Flanged Serrated Aluminium Profile 20mm

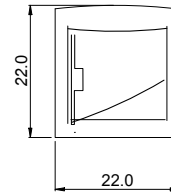
FX11-TPP-0035

Bendable Serrated Aluminium Profile 1000mm

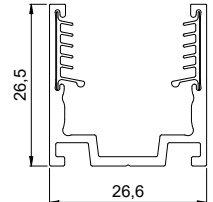
FX11-BSP-1000

Bendable Serrated Aluminium Profile 500mm

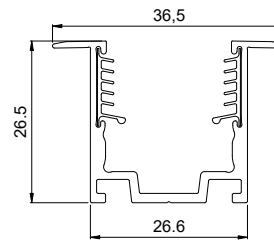
F11-BSP-500



Flexus 11



Serrated /
Bendable
Aluminium
Profile

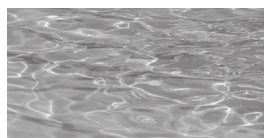


Serrated Recessed
Aluminium Profile

Product Lumen Data

CCT	CRI	WATTS/MTR	LUMENS/MTR	BENDING	MIN CUT LENGTH
2200K	80	12	900	Horizontal	50mm
2700K	80	12	920		50mm
3000K	80	12	920		50mm
4000K	80	12	950		50mm
2200K	80	16.5	1200		50mm
2700K	80	16.5	1300		50mm
3000K	80	16.5	1300		50mm
4000K	80	16.5	1400		50mm

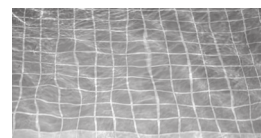
Underwater Applications



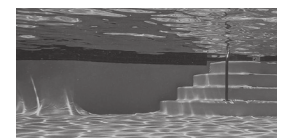
Fresh Water



Sea Water
(Salinity<4%)



Swimming Pool
(Chlorine<2PPM)



Swimming Pool
(Ozone<0.3PPM)

Complies with EN60598-1 and pertinent regulations

Specifications are subject to change without prior notice. Please refer to our website for most up to date version.



Contact our sales team for further assistance

0113 263 9039

sales@kempslighting.com

kempsasslighting.com