



Proteus Edge

Linear LED



Applications

- Recessed fixture
- Walls & ceilings

Benefits

- Various colour temperatures
- Dimmable
- Remote gear
- 5yr warranty
- IP54

Features

- Easy to install
- Profiles supplied in 1 or 2mtr lengths
- Tails pre-soldered to the tape as per site conditions
- 2200K - 2400K - 2700K - 3000K - 4000K
- 80 & 90 CRI

Technical Information

Power (W/m)	5	9	15	19
Lumen Output (lm/m) Based on 4000K opal	454	838	1334	1666
Input (V)	24			
CCT	2200K • 2400K • 2700K • 3000K • 4000K			
CRI	>80 • >90			
Binning	3 Step MacAdam Elipse			
Control	Switched • 0-10V • DALI • Phase • DMX • Bluetooth			
Lifetime (LM80 B10)	60,000hrs @25°C			
Operating Temp	-25°C to 55°C			
IP Rating	IP54			
Diffuser	Opal			
Finish	Black • Signal White • Grey • Anodised Aluminium • Custom RAL			
Mounting	Recessed			
Lengths	50mm increments			
Maximum LED run lengths	10mtr (5W - 9W - 15W) • 5mtr (19W)			

Product Code

PRO - Edge - 1 - 2 - 3 - 4 - 5 - 6

Create your product code by choosing your specification from the product areas.

Final example codes are shown to the right.

Example Codes

PRO-Edge-15-827-O-54-9005-XXXX

PRO-Edge-5-840-O-54-9003-XXXX

1 Power

19W	19
15W	15
9W	9
5W	5

2 CCT

	>80CRI	>90CRI		>80CRI	>90CRI
2200K	822	N/A	3000K	830	930
2400K	824	924	4000K	840	940
2700K	827	927			

3 Diffuser

Opal	0
------	---

4 IP Rating

IP54	54
------	----

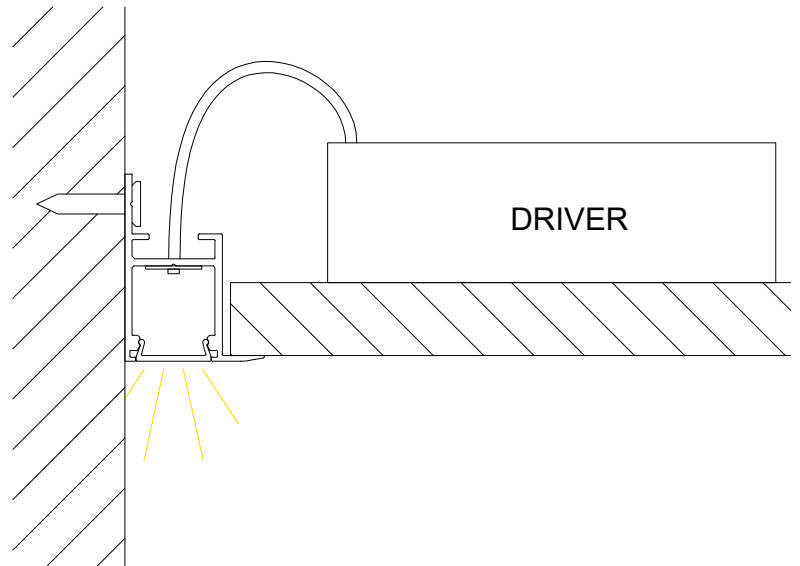
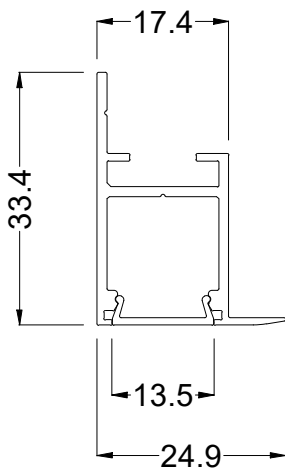
5 Finish

Jet Black	9005
Signal White	9003
Grey	9006
Anodised Aluminium	AA
Custom	RAL#

6 Length

XXXXmm	XXXX
--------	------

Specification Drawings



Complies with EN60598-1 and pertinent regulations

Specifications are subject to change without prior notice. Please refer to our website for most up to date version.



Contact our sales team for further assistance

0113 263 9039

sales@kempslighting.com

kempslighting.com

Product Lumen Data

CCT	Watts	Clear/Optic Diffuser		Opal Diffuser	
		Lumens/Mtr	Lumen/Watt	Lumens/Mtr	Lumen/Watt
2200K - 80CRI	5	500	100	318	64
2400K - 80CRI		540	108	343	69
2400K - 90CRI		456	91	290	58
2700K - 80CRI		650	130	390	78
2700K - 90CRI		550	110	330	66
3000K - 80CRI		683	137	410	82
3000K - 90CRI		578	116	347	69
4000K - 80CRI		715	143	454	91
4000K - 90CRI		605	121	363	73
2200K - 80CRI		9	924	103	587
2400K - 80CRI	996		111	632	70
2400K - 90CRI	847		94	538	60
2700K - 80CRI	1200		133	762	85
2700K - 90CRI	1020		113	648	72
3000K - 80CRI	1260		140	800	89
3000K - 90CRI	1071		119	680	76
4000K - 80CRI	1320		147	838	93
4000K - 90CRI	1122		125	712	79
2200K - 80CRI	15		1460	97	927
2400K - 80CRI		1560	104	991	66
2400K - 90CRI		1411	94	896	60
2700K - 80CRI		1900	127	1207	80
2700K - 90CRI		1615	108	1026	68
3000K - 80CRI		2000	133	1270	85
3000K - 90CRI		1700	113	1079	72
4000K - 80CRI		2100	140	1334	89
4000K - 90CRI		1785	119	1133	76
2200K - 80CRI		19	1825	96	1159
2400K - 80CRI	1950		103	1238	65
2400K - 90CRI	1464		77	930	49
2700K - 80CRI	2375		125	1508	79
2700K - 90CRI	2014		106	1279	67
3000K - 80CRI	2500		132	1588	84
3000K - 90CRI	2120		112	1346	71
4000K - 80CRI	2625		138	1666	88
4000K - 90CRI	2226		117	1414	74



Contact our sales team for further assistance

0113 263 9039

sales@kempslighting.com

kempslighting.com