

Sabre 60

LED Pendant



Applications

- General lighting
- Decorative

Benefits

- Various colour temperatures available
- Multiple lengths available to suit - Max 2500mm
- Various lumen outputs
- Dimmable
- Homogenous appearance
- Remote gear

Features

- 275 degree beam
- 2200K - 2500K - 2700K - 3000K - 4000K
- 80 & 90 CRI
- Switched - 0-10V - Dali - Phase - DMX - Bluetooth Casambi
- IP54 - IP65
- 5yr warranty

Technical Information

Power (W/m)	9	15	19
Lumen Output (lm/m) Based on 4000K	838	1334	1666
Efficacy (lm/W) Based on 4000K	93	89	88
Input (V)	24		
CCT	2200K • 2500K • 2700K • 3000K • 4000K		
CRI	>80 • >90		
Binning	3 Step MacAdam Elipse		
Control	Switched • 0-10V • DALI • Phase • DMX • Bluetooth		
Beam angle	300°		
Lifetime (LM80)	50,000hrs @25°C		
Operating Temp	-25°C to 55°C		
IP Rating	IP54 • IP65		
Diffuser	Opal		
End cap finish	Black • Signal White • Grey • Custom RAL		
Mounting	Suspension Kit - 2mtrs		
Lengths	1000mm - 2500mm (50mm increments)		

Product Code

SAB60 - 1 - 2 - 3 - 4 - 5 - 6 - 7

Create your product code by choosing your specification from the product areas.

Final example codes are shown to the right.

1 Power

19W	19
15W	15
9W	9

2 CCT

	>80CRI	>90CRI		>80CRI	>90CRI
2200K	822	N/A	3000K	830	930
2500K	825	925	4000K	840	940
2700K	827	927			

Example Codes

SAB60-19-827-O-54-P-9005-XXXX

SAB60-15-840-O-65-S-9003-XXXX

3 Diffuser

Opal	O
------	---

4 IP Rating

IP54	54
IP65	65

5 Mounting

Suspended	P
Surface	S
Bespoke	B

5 Finish

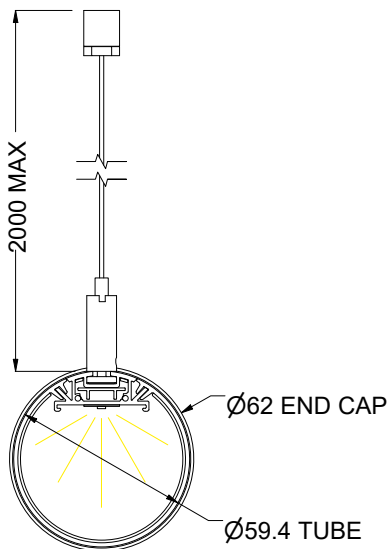
Jet Black	9005
Signal White	9003
Grey	9006
Custom	RAL#

6 Length

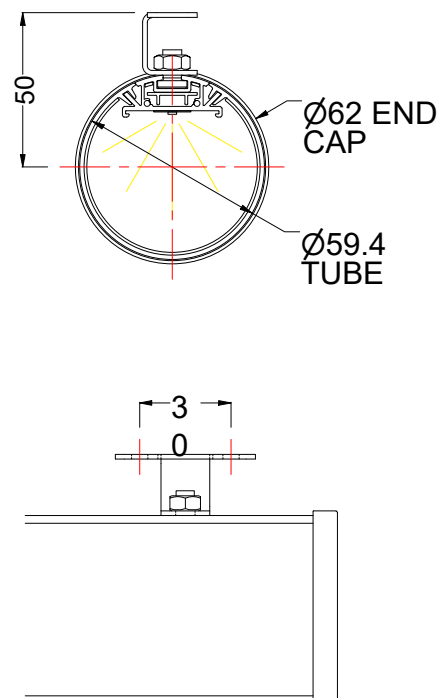
XXXXmm	XXXX
--------	------

Specification Drawings

Suspended Mounting



Surface Mounting



Complies with EN60598-1 and pertinent regulations

Specifications are subject to change without prior notice. Please refer to our website for most up to date version.



Contact our sales team for further assistance

0113 263 9039

sales@kempslighting.com

kempslighting.com