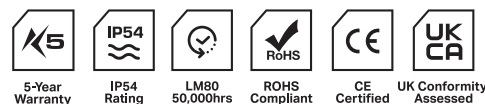


Proteus V1

Linear LED



Applications

- Furniture
- Shelving

Benefits

- Various Colour Temperatures
- Homogeneous appearance
- Dimmable
- Remote gear
- 5yr Warranty

Features

- 13.6mm x 10mm slim profile
- 2700K - 3000K - 4000K
- 4.8W & 9.6W
- 90 CRI
- Black, grey & silver anodising
- 240 Leds per mtr
- Recessed mounted
- IP54

Technical Information

Power (W/m)	4.8	9.6
Lumen Output (lm/m) based on 4000K 90CRI	309	600
Input	24V	
CCT	2700K • 3000K • 4000K	
CRI	>90	
Binning	3 Step MacAdam Elipse	
Control	Switched • 0-10V • DALI • Phase • DMX • Bluetooth Casambi	
Beam angles	160°	
Lifetime (LM80)	50,000hrs @25°C	
Operating Temp	-25°C to 55°C	
IP Rating	IP54	
Diffuser	Opal Silicone	
Finish	Silver • Black • Grey	
Mounting	Recessed	
Increment Cutting	50mm (4.8W) • 25mm (9.6W)	
Max Series Connection	5000mm	

Product Code

PRO - V1 - 1 - 2 - 3 - 4 - 5 - 6

Create your product code by choosing your specification from the product areas.

Final example codes are shown below.

Example Codes

PRO-V1-9.6-930-O-54-B-XXXX

PRO-V1-4.8-927-O-54-S-XXXX

1 Power

9.6W	9.6	4.8W	4.8
------	------------	------	------------

2 Mounting

>90CRI - 2700K	927
>90CRI - 3000K	930
>90CRI - 4000K	940

3 Diffuser

Opal	O
------	----------

4 IP Rating

IP54	54
------	-----------

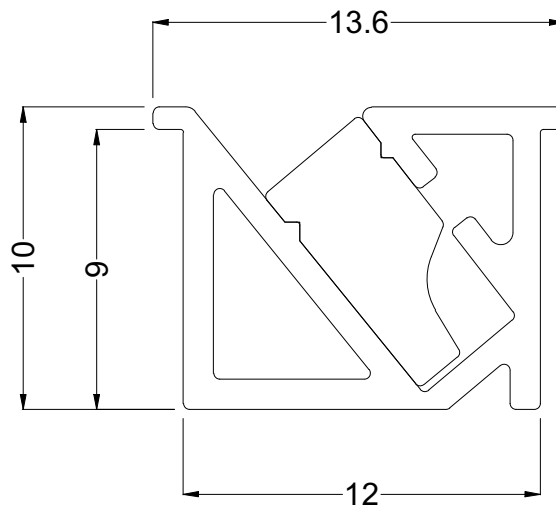
5 Finish

Black	B
Grey	G
Silver	S

6 Length

TBC	XXXX
-----	-------------

Specification Drawings



Fittings are provided with end 1mtr cable entry as standard

Complies with EN60598-1 and pertinent regulations

Specifications are subject to change without prior notice. Please refer to our website for most up to date version.



Contact our sales team for further assistance

0113 263 9039

sales@kempslighting.com

kempslighting.com